

Parts List

Ref	Var	IPN	Description	Ref	Var	IPN	Description	Ref	Var	IPN	Description
C100		018-13150-00	CAP 0603 150p 50V NPO ±5%	C334		015-02680-07	CAP cer 68p 500V 5% 1111 C17CF	C396E	H6	015-22120-05	CAP cer 12p NPO 200V 1% 0805
C101		018-13150-00	CAP 0603 150p 50V NPO ±5%	C335		018-13150-00	CAP 0603 150p 50V NPO ±5%	C396F	H5	015-22180-05	CAP cer 18p 200V 1% 0805 GRM40
C102		018-13150-00	CAP 0603 150p 50V NPO ±5%	C338		018-13150-00	CAP 0603 150p 50V NPO ±5%	C396F	H6	015-22120-05	CAP cer 12p NPO 200V 1% 0805
C103		015-26100-08	CAP cer 100n 50V 10% 0805 X7R	C339		018-13150-00	CAP 0603 150p 50V NPO ±5%	C396G	H5	015-22180-05	CAP cer 18p 200V 1% 0805 GRM40
C114	H5	018-12560-10	CAP 0603 56p 50V NPO ±1%	C340		018-14100-00	CAP 0603 1n 50V X7R ±10%	C396G	H6	not fitted	
C114	H6	not fitted		C341		018-13220-00	CAP 0603 220p 50V NPO ±5%	C397B	H5	not fitted	
C201		018-15470-00	CAP 0603 47n 16V X7R ±10%	C342		018-13220-00	CAP 0603 220p 50V NPO ±5%	C397B	H6	015-22220-05	CAP cer 22p 200V 1% 0805 GRM40
C202		015-07470-20	CAP cer 4u7 25V 10% 1206 X7R	C343		018-13220-00	CAP 0603 220p 50V NPO ±5%	C397D	H5	015-22270-05	CAP cer 27p ±0.1pF 200V 0805
C203		018-16100-00	CAP 0603 100n 16V x7R ±10%	C344		018-13220-00	CAP 0603 220p 50V NPO ±5%	C397D	H6	not fitted	
C204		018-16100-00	CAP 0603 100n 16V x7R ±10%	C346		018-13150-00	CAP 0603 150p 50V NPO ±5%	C397E	H5	not fitted	
C206		018-13680-00	CAP 0603 680p 50V X7R ±10%	C347		018-13150-00	CAP 0603 150p 50V NPO ±5%	C397E	H6	015-22120-05	CAP cer 12p NPO 200V 1% 0805
C207		015-07220-08	CAP cer 2u2 16V 10% 1206 X7R	C348		015-23150-05	CAP cer 150p 200V 0805 GRM40	C397F	H5	015-22180-05	CAP cer 18p 200V 1% 0805 GRM40
C208		018-13680-00	CAP 0603 680p 50V X7R ±10%	C349		015-23150-05	CAP cer 150p 200V 0805 GRM40	C397F	H6	015-22120-05	CAP cer 12p NPO 200V 1% 0805
C209		018-16100-00	CAP 0603 100n 16V x7R ±10%	C350		015-23150-05	CAP cer 150p 200V 0805 GRM40	C397G	H5	015-22180-05	CAP cer 18p 200V 1% 0805 GRM40
C210		018-12680-10	CAP 0603 68p 50V NPO ±1%	C353		015-21820-05	CAP cer 8p2 ±0.1pF 200V 0805	C397G	H6	not fitted	
C211		018-16100-00	CAP 0603 100n 16V x7R ±10%	C354		015-21680-05	CAP cer 6p8 ±0.1pF 200V 0805	C398A	H5	015-22150-05	CAP cer 15p 200V 1% 0805 GRM40
C212		015-07470-20	CAP cer 4u7 25V 10% 1206 X7R	C355		015-21820-05	CAP cer 8p2 ±0.1pF 200V 0805	C398A	H6	015-22100-05	CAP cer 10p ±0.1pF 200V 0805
C213		018-16100-00	CAP 0603 100n 16V x7R ±10%	C356		018-13150-00	CAP 0603 150p 50V NPO ±5%	C398B	H5	015-22150-05	CAP cer 15p 200V 1% 0805 GRM40
C214		018-16100-00	CAP 0603 100n 16V x7R ±10%	C357		018-13150-00	CAP 0603 150p 50V NPO ±5%	C398B	H6	015-22100-05	CAP cer 10p ±0.1pF 200V 0805
C215		018-16100-00	CAP 0603 100n 16V x7R ±10%	C358		018-12100-10	CAP 0603 10p 50V NPO ±0.1pF	C398C	H5	015-22120-05	CAP cer 12p NPO 200V 1% 0805
C216		018-16100-00	CAP 0603 100n 16V x7R ±10%	C359		018-13150-00	CAP 0603 150p 50V NPO ±5%	C398C	H6	015-21820-05	CAP cer 8p2 ±0.1pF 200V 0805
C217		018-16100-00	CAP 0603 100n 16V x7R ±10%	C360		018-13150-00	CAP 0603 150p 50V NPO ±5%	C398D	H5	015-22120-05	CAP cer 12p NPO 200V 1% 0805
C218		018-14100-00	CAP 0603 1n 50V X7R ±10%	C361		015-21820-05	CAP cer 8p2 ±0.1pF 200V 0805	C398D	H6	015-21820-05	CAP cer 8p2 ±0.1pF 200V 0805
C219		018-16100-00	CAP 0603 100n 16V x7R ±10%	C362		015-21680-05	CAP cer 6p8 ±0.1pF 200V 0805	C398E	H5	not fitted	
C220		018-16100-00	CAP 0603 100n 16V x7R ±10%	C363		015-21820-05	CAP cer 8p2 ±0.1pF 200V 0805	C398E	H6	015-21820-05	CAP cer 8p2 ±0.1pF 200V 0805
C221		018-16100-00	CAP 0603 100n 16V x7R ±10%	C364		015-21120-05	CAP cer 1p2 ±0.1pF 200V 0805	C398F	H5	not fitted	
C222		018-13100-10	CAP 0603 100p 50V NPO ±1%	C365		018-13150-00	CAP 0603 150p 50V NPO ±5%	C398F	H6	015-21820-05	CAP cer 8p2 ±0.1pF 200V 0805
C223		018-16100-00	CAP 0603 100n 16V x7R ±10%	C366		015-21120-05	CAP cer 1p2 ±0.1pF 200V 0805	C399I	H5	015-21470-05	CAP cer 4p7 ±0.1pF 200V 0805
C224		015-27100-08	CAP cer 1uF 16V 10% 0805 X7R	C367	H5	018-11820-10	CAP 0603 8p2 50V NPO ±0.1pF	C399I	H6	not fitted	
C225		018-16100-00	CAP 0603 100n 16V x7R ±10%	C367	H6	018-11390-10	CAP 0603 3p9 50V NPO ±0.1pF	C399J	H5	015-21560-05	CAP cer 5p6 ±0.1pF 200V 0805
C226		018-16100-00	CAP 0603 100n 16V x7R ±10%	C369		015-21150-05	CAP cer 1p5 ±0.1pF 200V 0805	C399J	H6	not fitted	
C227		018-16100-00	CAP 0603 100n 16V x7R ±10%	C371	H5	059-75150-35	IND 0603 15nH 5% SWI cer	C399K	H5	015-21470-05	CAP cer 4p7 ±0.1pF 200V 0805
C228		015-26100-08	CAP cer 100n 50V 10% 0805 X7R	C371	H6	018-11600-10	CAP 0603 6p0 50V NPO ±0.1pF	C399K	H6	not fitted	
C231		015-27100-08	CAP cer 1uF 16V 10% 0805 X7R	C372		015-21180-05	CAP cer 1p8 ±0.1pF 200V 0805	C399L	H5	015-21470-05	CAP cer 4p7 ±0.1pF 200V 0805
C232	TM8100	not fitted		C373		015-21180-05	CAP cer 1p8 ±0.1pF 200V 0805	C399L	H6	not fitted	
C232	TM8200	015-27100-08	CAP cer 1uF 16V 10% 0805 X7R	C374	H5	015-21180-05	CAP cer 1p8 ±0.1pF 200V 0805	C399O	H5	not fitted	
C300		018-15100-00	CAP 0603 10n 50V X7R ±10%	C374	H6	015-21220-05	CAP cer 2p2 ±0.1pF 200V 0805	C399O	H6	015-21330-05	CAP cer 3p3 ±0.1pF 200V 0805
C301		018-15100-00	CAP 0603 10n 50V X7R ±10%	C375		015-21180-05	CAP cer 1p8 ±0.1pF 200V 0805	C399P	H5	not fitted	
C302		018-15100-00	CAP 0603 10n 50V X7R ±10%	C376	H5	015-21150-05	CAP cer 1p5 ±0.1pF 200V 0805	C399P	H6	015-21330-05	CAP cer 3p3 ±0.1pF 200V 0805
C303		018-13150-00	CAP 0603 150p 50V NPO ±5%	C376	H6	015-21220-05	CAP cer 2p2 ±0.1pF 200V 0805	C399Q	H5	not fitted	
C304		018-11120-10	CAP 0603 1p2 50V NPO ±0.1pF	C377	H5	015-21120-05	CAP cer 1p2 ±0.1pF 200V 0805	C399Q	H6	015-21270-05	CAP cer 2p7 ±0.1pF 200V 0805
C305		018-16100-00	CAP 0603 100n 16V x7R ±10%	C377	H6	not fitted		C399R	H5	not fitted	
C306		018-15100-00	CAP 0603 10n 50V X7R ±10%	C378		015-21120-05	CAP cer 1p2 ±0.1pF 200V 0805	C399R	H6	015-21270-05	CAP cer 2p7 ±0.1pF 200V 0805
C307		018-13150-00	CAP 0603 150p 50V NPO ±5%	C378	H6	not fitted		C400	H5	018-11560-10	CAP 0603 5p6 50V NPO ±0.1pF
C308		018-13470-00	CAP 0603 470p 50V X7R ±10%	C379		015-21180-05	CAP cer 1p8 ±0.1pF 200V 0805	C400	H6	018-11470-10	CAP 0603 4p7 50V NPO ±0.1pF
C309	H5	018-12150-10	CAP 0603 15p 50V NPO ±1%	C380		015-21180-05	CAP cer 1p8 ±0.1pF 200V 0805	C401	H5	018-11470-10	CAP 0603 4p7 50V NPO ±0.1pF
C309	H6	018-11820-10	CAP 0603 8p2 50V NPO ±0.1pF	C381		015-21180-05	CAP cer 1p8 ±0.1pF 200V 0805	C401	H6	018-11330-10	CAP 0603 3p3 50V NPO ±0.1pF
C310		018-14100-00	CAP 0603 1n 50V X7R ±10%	C382	H5	015-21180-05	CAP cer 1p8 ±0.1pF 200V 0805	C402		018-11330-10	CAP 0603 3p3 50V NPO ±0.1pF
C311		018-13270-00	CAP 0603 270p 50V NPO ±5%	C382	H6	015-21220-05	CAP cer 2p2 ±0.1pF 200V 0805	C403	H5	018-12390-10	CAP 0603 3p9 50V NPO ±1%
C312		018-15100-00	CAP 0603 10n 50V X7R ±10%	C383	H5	015-21150-05	CAP cer 1p5 ±0.1pF 200V 0805	C403	H6	018-12270-10	CAP 0603 27p 50V NPO ±1%
C313		018-15100-00	CAP 0603 10n 50V X7R ±10%	C383	H6	015-21220-05	CAP cer 2p2 ±0.1pF 200V 0805	C404		018-15100-00	CAP 0603 10n 50V X7R ±10%
C314	H5	018-12390-10	CAP 0603 39p 50V NPO ±1%	C384	H5	015-21100-05	CAP cer 1p0 ±0.1pF 200V 0805	C405	H5	018-11560-10	CAP 0603 5p6 50V NPO ±0.1pF
C314	H6	018-12270-10	CAP 0603 27p 50V NPO ±1% Qty	C384	H6	not fitted		C405	H6	018-11470-10	CAP 0603 4p7 50V NPO ±0.1pF
C315		018-13150-00	CAP 0603 150p 50V NPO ±5%	C385		015-21100-05	CAP cer 1p0 ±0.1pF 200V 0805	C406	H5	018-11330-10	CAP 0603 3p3 50V NPO ±0.1pF
C316		018-15100-00	CAP 0603 10n 50V X7R ±10%	C386		015-21100-05	CAP cer 1p0 ±0.1pF 200V 0805	C406	H6	018-11120-10	CAP 0603 1p2 50V NPO ±0.1pF
C317	H5	015-23270-05	CAP cer 270p 200V 1% GRM40	C387	H5	not fitted		C408		018-12100-10	CAP 0603 10p 50V NPO ±0.1pF
C317	H6	015-23150-05	CAP cer 150p 200V 0805 GRM40	C387	H6	015-21100-05	CAP cer 1p0 ±0.1pF 200V 0805	C409		018-15100-00	CAP 0603 10n 50V X7R ±10%
C318		015-23150-01	CAP cer 150p NPO 50V 5% 0805	C388		018-14470-00	CAP 0603 4n7 50V X7R ±10%	C410		018-16100-00	CAP 0603 100n 16V x7R ±10%
C319		018-12100-10	CAP 0603 10p 50V NPO ±0.1pF	C389	H5	015-23270-05	CAP cer 270p 200V 1% GRM40	C411		018-15100-00	CAP 0603 10n 50V X7R ±10%
C320		015-22270-05	CAP cer 27p ±0.1pF 200V 0805	C389	H6	015-23150-05	CAP cer 150p 200V 0805 GRM40	C412		018-16100-00	CAP 0603 100n 16V x7R ±10%
C321	H5	015-22330-05	CAP cer 33p ±0.1pF 200V 0805	C390	H5	038-10000-00	RES 0603 0R 5% 1/10W	C413		018-14100-00	CAP 0603 1n 50V X7R ±10%
C321	H6	015-22220-05	CAP cer 22p 200V 1% 0805 GRM40	C390	H6	018-13270-00	CAP 0603 270p 50V NPO ±5%	C414		018-12270-10	CAP 0603 27p 50V NPO ±1%
C322		018-14100-00	CAP 0603 1n 50V X7R ±10%	C391		018-16100-00	CAP 0603 100n 16V x7R ±10%	C415		018-15150-00	CAP 0603 15n 50V X7R ±10%
C323		018-16100-00	CAP 0603 100n 16V x7R ±10%	C392		018-16100-00	CAP 0603 100n 16V x7R ±10%	C416		018-12390-10	CAP 0603 39p 50V NPO ±1%
C324		018-13470-00	CAP 0603 470p 50V X7R ±10%	C393		018-16100-00	CAP 0603 100n 16V x7R ±10%	C417		018-16100-00	CAP 0603 100n 16V x7R ±10%
C325		015-26100-08	CAP cer 100n 50V 10% 0805 X7R	C394		018-15470-00	CAP 0603 47n 16V X7R ±10%	C418		018-16100-00	CAP 0603 100n 16V x7R ±10%
C326	H5	015-23220-05	CAP cer 220p COG 200V 1% 0805	C395A	H5	015-23180-05	CAP cer 180p 200V 0805 GRM40	C419		018-16100-00	CAP 0603 100n 16V x7R ±10%
C326	H6	015-23150-05	CAP cer 150p 200V 0805 GRM40	C395A	H6	015-22820-05	CAP cer 82p 200V 1% 0805 GRM40	C420	H5	018-11560-10	CAP 0603 5p6 50V NPO ±0.1pF
C327	H5	015-23220-05	CAP cer 220p COG 200V 1% 0805	C395D	H5	015-22820-05	CAP cer 82p 200V 1% 0805 GRM40	C420	H6	018-11390-10	CAP 0603 3p9 50V NPO ±0.1pF
C327	H6	015-23150-05	CAP cer 150p 200V 0805 GRM40	C395D	H6	not fitted		C421		018-15100-00	CAP 0603 10n 50V X7R ±10%
C328	H5	015-22390-05	CAP cer 39p 200V 1% 0805 GRM40	C395E	H5	not fitted		C422	H5	018-11470-10	CAP 0603 4p7 50V NPO ±0.1pF
C328	H6	015-22330-05	CAP cer 33p ±0.1pF 200V 0805	C395E	H6	015-23120-05	CAP cer 120p 200V 0805 GRM40	C422	H6	018-11330-10	CAP 0603 3p3 50V NPO ±0.1pF
C329	H5	015-22390-05	CAP cer 39p 200V 1% 0805 GRM40	C396B	H5	not fitted		C423		018-15100-00	CAP 0603 10n 50V X7R ±10%
C329	H6	015-22330-05	CAP cer 33p ±0.1pF 200V 0805	C396B	H6	015-22220-05	CAP cer 22p 200V 1% 0805 GRM40	C424		018-11330-10	CAP 0603 3p3 50V NPO ±0.1pF
C330		015-26100-08	CAP cer 100n 50V 10% 0805 X7R	C396D	H5	015-22270-05	CAP cer 27p ±0.1pF 200V 0805				

Parts List

PCB IPN 220-01697-11

Ref	Var	IPN	Description	Ref	Var	IPN	Description	Ref	Var	IPN	Description	Ref	Var	IPN	Description
C428		018-13100-10	CAP 0603 100p 50V NPO ±1%	C527		018-15330-00	CAP 0603 33n 50V X7R ±10%	C606		015-26100-08	CAP cer 100n 50V 10% 0805 X7R	D502		001-10005-35	DIODE BB535 Vcap SOD323
C429	H5	018-12390-10	CAP 0603 39p 50V NPO ±1%	C528		018-16100-00	CAP 0603 100n 16V x7R ±10%	C608		018-15100-00	CAP 0603 10n 50V X7R ±10%	D503		001-10099-01	DIODE BAV99W dual SIG
C429	H6	018-12270-10	CAP 0603 27p 50V NPO ±1%	C529		018-16100-00	CAP 0603 100n 16V x7R ±10%	C609		018-16100-00	CAP 0603 100n 16V x7R ±10%	D504		001-10005-35	DIODE BB535 Vcap SOD323
C430		018-16100-00	CAP 0603 100n 16V x7R ±10%	C530		018-15100-00	CAP 0603 10n 50V X7R ±10%	C610		018-16100-00	CAP 0603 100n 16V x7R ±10%	D505		001-10005-35	DIODE BB535 Vcap SOD323
C431		018-16100-00	CAP 0603 100n 16V x7R ±10%	C531		015-07470-20	CAP cer 4u7 25V 10% 1206 X7R	C611		014-07470-05	CAP tant 4u7 16V 10% A	D506		001-10005-35	DIODE BB535 Vcap SOD323
C432	H5	018-11330-10	CAP 0603 3p3 50V NPO ±0.1pF	C532		018-12330-10	CAP 0603 33p 50V NPO ±1%	C613		014-08100-30	CAP tant 100u 10V low ESR D	D507		001-10005-35	DIODE BB535 Vcap SOD323
C432	H6	018-11120-10	CAP 0603 1p2 50V NPO ±0.1pF	C533		018-16100-00	CAP 0603 100n 16V x7R ±10%	C614		018-16100-00	CAP 0603 100n 16V x7R ±10%	D508		001-10005-35	DIODE BB535 Vcap SOD323
C433	H5	018-11180-10	CAP 0603 1p8 50V NPO ±0.1pF	C534		018-13330-00	CAP 0603 330p 50V X7R ±10%	C615		018-16100-00	CAP 0603 100n 16V x7R ±10%	D509		001-10005-35	DIODE BB535 Vcap SOD323
C433	H6	018-11120-10	CAP 0603 1p2 50V NPO ±0.1pF	C535		018-16100-00	CAP 0603 100n 16V x7R ±10%	C616		015-07220-08	CAP cer 2u2 16V 10% 1206 X7R	D510	H5	001-10005-35	DIODE BB535 Vcap SOD323
C434		018-15100-00	CAP 0603 10n 50V X7R ±10%	C536		018-15100-00	CAP 0603 10n 50V X7R ±10%	C617		015-07220-08	CAP cer 2u2 16V 10% 1206 X7R	D510	H6		not fitted
C435	H5	018-12390-10	CAP 0603 39p 50V NPO ±1%	C537		018-14100-00	CAP 0603 1n 50V X7R ±10%	C618		018-16100-00	CAP 0603 100n 16V x7R ±10%	D511	H5	001-10005-35	DIODE BB535 Vcap SOD323
C435	H6	018-12270-10	CAP 0603 27p 50V NPO ±1%	C538		018-16100-00	CAP 0603 100n 16V x7R ±10%	C619		018-16100-00	CAP 0603 100n 16V x7R ±10%	D511	H6		not fitted
C436		018-11470-10	CAP 0603 4p7 50V NPO ±0.1pF	C539		018-16100-00	CAP 0603 100n 16V x7R ±10%	C620		018-15100-00	CAP 0603 10n 50V X7R ±10%	D600		001-10153-00	DIODE SM15T30A Transil SMC
C437	H5	018-11330-10	CAP 0603 3p3 50V NPO ±0.1pF	C540		018-16100-00	CAP 0603 100n 16V x7R ±10%	C621		018-16100-00	CAP 0603 100n 16V x7R ±10%	D601		001-10070-01	DIODE BAV70W dual SIG SOT323
C437	H6	018-11120-10	CAP 0603 1p2 50V NPO ±0.1pF	C541		018-15100-00	CAP 0603 10n 50V X7R ±10%	C622		018-16100-00	CAP 0603 100n 16V x7R ±10%	D602		001-10054-02	DIODE BAT54AW SOT323
C438		018-11330-10	CAP 0603 3p3 50V NPO ±0.1pF	C542		018-16100-00	CAP 0603 100n 16V x7R ±10%	C623		014-07470-11	CAP tant 4u7 10V 20% 0603	D603		001-10070-01	DIODE BAV70W dual SIG SOT323
C439	H5	018-11470-10	CAP 0603 4p7 50V NPO ±0.1pF	C543		018-16100-00	CAP 0603 100n 16V x7R ±10%	C700		018-13100-10	CAP 0603 100p 50V NPO ±1%	D604		001-10070-01	DIODE BAV70W dual SIG SOT323
C439	H6	018-11330-10	CAP 0603 3p3 50V NPO ±0.1pF	C544		015-27470-05	CAP cer 4u7 16V 10% 0805 X5R	C701		018-13100-10	CAP 0603 100p 50V NPO ±1%	D606		001-10014-03	DIODE MBRS140T3 sch
C440		018-15100-00	CAP 0603 10n 50V X7R ±10%	C545	H5	018-11820-10	CAP 0603 8p2 50V NPO ±0.1pF	C702		018-13100-10	CAP 0603 100p 50V NPO ±1%	D700		001-10099-01	DIODE BAV99W dual SIG
C441	H5	018-11560-10	CAP 0603 5p6 50V NPO ±0.1pF	C545	H6	018-11470-10	CAP 0603 4p7 50V NPO ±0.1pF	C703		018-13100-10	CAP 0603 100p 50V NPO ±1%	D701		001-10099-01	DIODE BAV99W dual SIG
C441	H6	018-11390-10	CAP 0603 3p9 50V NPO ±0.1pF	C546		018-16100-00	CAP 0603 100n 16V x7R ±10%	C704		018-14100-00	CAP 0603 1n 50V X7R ±10%	D702		001-10099-01	DIODE BAV99W dual SIG
C442		018-12100-10	CAP 0603 10p 50V NPO ±0.1pF	C547		018-13150-00	CAP 0603 150p 50V NPO ±5%	C705		018-14100-00	CAP 0603 1n 50V X7R ±10%	D703		001-10070-01	DIODE BAV70W dual SIG SOT323
C443		018-12100-10	CAP 0603 10p 50V NPO ±0.1pF	C549	H5		not fitted	C706		018-15100-00	CAP 0603 10n 50V X7R ±10%	D704		001-10084-33	DIODE BZX84C3V3 Zen SOT23
C444		018-15100-00	CAP 0603 10n 50V X7R ±10%	C549	H6	018-11330-10	CAP 0603 3p3 50V NPO ±0.1pF	C707		018-16100-00	CAP 0603 100n 16V x7R ±10%	D705		001-10070-01	DIODE BAV70W dual SIG SOT323
C445		018-15100-00	CAP 0603 10n 50V X7R ±10%	C550		015-07470-20	CAP cer 4u7 25V 10% 1206 X7R	C708		018-15100-00	CAP 0603 10n 50V X7R ±10%	D706		001-10070-01	DIODE BAV70W dual SIG SOT323
C446		018-15100-00	CAP 0603 10n 50V X7R ±10%	C551		018-13150-00	CAP 0603 150p 50V NPO ±5%	C709		018-15100-00	CAP 0603 10n 50V X7R ±10%	D707		001-10070-01	DIODE BAV70W dual SIG SOT323
C448		018-13100-10	CAP 0603 100p 50V NPO ±1%	C552		018-16100-00	CAP 0603 100n 16V x7R ±10%	C710		018-13470-00	CAP 0603 470p 50V X7R ±10%	D708		001-10070-01	DIODE BAV70W dual SIG SOT323
C449		018-15100-00	CAP 0603 10n 50V X7R ±10%	C553	H5	018-11560-10	CAP 0603 5p6 50V NPO ±0.1pF	C711		018-13470-00	CAP 0603 470p 50V X7R ±10%	D709		001-10099-01	DIODE BAV99W dual SIG
C450		018-13100-10	CAP 0603 100p 50V NPO ±1%	C553	H6	018-11470-10	CAP 0603 4p7 50V NPO ±0.1pF	C712		018-13470-00	CAP 0603 470p 50V X7R ±10%	D710		001-10070-01	DIODE BAV70W dual SIG SOT323
C451		018-11820-10	CAP 0603 8p2 50V NPO ±0.1pF	C554	H5	018-11820-10	CAP 0603 8p2 50V NPO ±0.1pF	C713		018-13470-00	CAP 0603 470p 50V X7R ±10%	D711		001-10070-01	DIODE BAV70W dual SIG SOT323
C452		018-16100-00	CAP 0603 100n 16V x7R ±10%	C554	H6	018-11470-10	CAP 0603 4p7 50V NPO ±0.1pF	C714		018-16100-00	CAP 0603 100n 16V x7R ±10%	D712		001-10099-01	DIODE BAV99W dual SIG
C454		018-16100-00	CAP 0603 10n 16V x7R ±10%	C555		018-14680-00	CAP 0603 6n8 50V X7R ±10%	C715		015-26100-08	CAP cer 100n 50V 10% 0805 X7R	D713		001-10099-01	DIODE BAV99W dual SIG
C455		018-15100-00	CAP 0603 10n 50V X7R ±10%	C556		018-13150-00	CAP 0603 150p 50V NPO ±5%	C717		018-16100-00	CAP 0603 100n 16V x7R ±10%	D714		001-10099-01	DIODE BAV99W dual SIG
C456		018-12220-10	CAP 0603 22p 50V NPO ±1%	C557	H5	018-11180-10	CAP 0603 1p8 50V NPO ±0.1pF	C718		018-16100-00	CAP 0603 100n 16V x7R ±10%	D715		001-10070-01	DIODE BAV70W dual SIG SOT323
C457		018-16100-00	CAP 0603 100n 16V x7R ±10%	C557	H6	018-11100-10	CAP 0603 1p0 50V NPO ±0.1pF	C719		018-15100-00	CAP 0603 10n 50V X7R ±10%	D716		001-10099-01	DIODE BAV99W dual SIG
C458		018-16100-00	CAP 0603 100n 16V x7R ±10%	C558		018-13150-00	CAP 0603 150p 50V NPO ±5%	C720		018-15100-00	CAP 0603 10n 50V X7R ±10%	D717		001-10099-01	DIODE BAV99W dual SIG
C459		018-16100-00	CAP 0603 100n 16V x7R ±10%	C559		018-13150-00	CAP 0603 150p 50V NPO ±5%	C721		018-15100-00	CAP 0603 10n 50V X7R ±10%	D718		001-10099-01	DIODE BAV99W dual SIG
C460		018-16100-00	CAP 0603 100n 16V x7R ±10%	C560	H5	018-11150-10	CAP 0603 1p5 50V NPO ±0.1pF	C722		018-16100-00	CAP 0603 100n 16V x7R ±10%	D719		001-10099-01	DIODE BAV99W dual SIG
C462		018-11100-10	CAP 0603 1p0 50V NPO ±0.1pF	C560	H6	018-11120-10	CAP 0603 1p2 50V NPO ±0.1pF	C723		018-13470-00	CAP 0603 470p 50V X7R ±10%	D720		001-10099-01	DIODE BAV99W dual SIG
C463		018-16100-00	CAP 0603 100n 16V x7R ±10%	C561		018-15100-00	CAP 0603 10n 50V X7R ±10%	C724		018-13470-00	CAP 0603 470p 50V X7R ±10%	D721		001-10084-62	DIODE BZX84C6V2 Zen SOT23
C464		018-13150-00	CAP 0603 150p 50V NPO ±5%	C562		018-13150-00	CAP 0603 150p 50V NPO ±5%	C725		018-13470-00	CAP 0603 470p 50V X7R ±10%	D722		001-10099-01	DIODE BAV99W dual SIG
C465		018-13150-00	CAP 0603 150p 50V NPO ±5%	C563		018-11680-10	CAP 0603 6p8 50V NPO ±0.1pF	C726		018-13470-00	CAP 0603 470p 50V X7R ±10%	D723		001-10099-01	DIODE BAV99W dual SIG
C466		018-13270-00	CAP 0603 270p 50V NPO ±5%	C564		018-11390-10	CAP 0603 3p9 50V NPO ±0.1pF	C727		018-13470-00	CAP 0603 470p 50V X7R ±10%	D724		001-10084-33	DIODE BZX84C3V3 Zen SOT23
C467		018-11100-10	CAP 0603 1p0 50V NPO ±0.1pF	C565		015-06100-01	CAP cer 100n 25V 5% 1206 COG	C728		018-13470-00	CAP 0603 470p 50V X7R ±10%	D725		001-10070-01	DIODE BAV70W dual SIG SOT323
C468		018-12220-10	CAP 0603 22p 50V NPO ±1%	C566		018-13150-00	CAP 0603 150p 50V NPO ±5%	C729		018-13470-00	CAP 0603 470p 50V X7R ±10%	D726		001-10099-01	DIODE BAV99W dual SIG
C469		018-11270-10	CAP 0603 2p7 50V NPO ±0.1pF	C567		018-13150-00	CAP 0603 150p 50V NPO ±5%	C730		018-13470-00	CAP 0603 470p 50V X7R ±10%	DIG_BCAN		319-01258-00	SHLD can dgltl TMA
C470		018-16100-00	CAP 0603 100n 16V x7R ±10%	C568		018-13150-00	CAP 0603 150p 50V NPO ±5%	C731		018-13470-00	CAP 0603 470p 50V X7R ±10%	DIG_TCAN		319-01258-00	SHLD can dgltl TMA
C471		018-15100-00	CAP 0603 10n 50V X7R ±10%	C569		018-13150-00	CAP 0603 150p 50V NPO ±5%	C732		018-13470-00	CAP 0603 470p 50V X7R ±10%	DIRC_TOP		319-01255-00	SHLD can direc-cplr TMA
C472		018-16100-00	CAP 0603 100n 16V x7R ±10%	C570		018-13150-00	CAP 0603 150p 50V NPO ±5%	C733		015-26100-08	CAP cer 100n 50V 10% 0805 X7R	FCL_TOP		319-01257-00	SHLD can frt end TMA
C473		018-16100-00	CAP 0603 100n 16V x7R ±10%	C571		018-14470-00	CAP 0603 4n7 50V X7R ±10%	C3003		016-08100-03	CAP eltro 10uF 35V 105° 2000h	FE_TOP		319-01257-00	SHLD can frt end TMA
C474		018-16100-00	CAP 0603 100n 16V x7R ±10%	C572	H5	018-11680-10	CAP 0603 6p8 50V NPO ±0.1pF	C3035		018-14100-00	CAP 0603 1n 50V X7R ±10%	H5_BAND	H5	036-12100-10	RES 0805 10R 1% 1/8W
C476		015-27100-08	CAP cer 1uF 16V 10% 0805 X7R	C572	H6	018-11470-10	CAP 0603 4p7 50V NPO ±0.1pF	C5004	H5	018-11180-10	CAP 0603 1p8 50V NPO ±0.1pF	H6_BAND	H6	036-12100-10	RES 0805 10R 1% 1/8W
C500		018-15470-00	CAP 0603 47n 16V X7R ±10%	C573		018-11560-10	CAP 0603 5p6 50V NPO ±0.1pF	C5004	H6	018-11100-10	CAP 0603 1p0 50V NPO ±0.1pF	HS300		316-85137-01	PLT Cu heat TMA
C501		018-16100-00	CAP 0603 100n 16V x7R ±10%	C574		018-15100-00	CAP 0603 10n 50V X7R ±10%	C5005	H5		not fitted	IC200	TM8100		not fitted
C502		018-16100-00	CAP 0603 100n 16V x7R ±10%	C575	H5	018-11120-10	CAP 0603 1p2 50V NPO ±0.1pF	C5005	H6	018-11180-10	CAP 0603 1p8 50V NPO ±0.1pF	IC200	TM8200	002-15468-23	IC MAX5468 dgltl pot w/32tap
C503		018-16100-00	CAP 0603 100n 16V x7R ±10%	C575	H6	018-11150-10	CAP 0603 1p5 50V NPO ±0.1pF	C5006		018-14100-00	CAP 0603 1n 50V X7R ±10%	IC201		002-20103-24	IC BA10324 dual OP-Amp SSOP14
C504		015-07470-20	CAP cer 4u7 25V 10% 1206 X7R	C576		018-13150-00	CAP 0603 150p 50V NPO ±5%	C5085		015-06100-01</					

Parts List

PCB IPN 220-01697-11

Ref	Var	IPN	Description	Ref	Var	IPN	Description	Ref	Var	IPN	Description	Ref	Var	IPN	Description
IC5100		002-10139-16	IC MBC13916 cascade bfr	L5101		059-16120-00	IND 0603HS 120nH 5%	R112		038-10000-00	RES 0603 0R 5% 1/10W	R324		038-17100-10	RES 0603 1M 1% 1/10W
IF_TOP		319-01256-00	SHLD can IF TMA	LK1		036-10000-00	RES 0805 0R 1/8W	R199		038-10000-00	RES 0603 0R 5% 1/10W	R326		038-14100-10	RES 0603 1k0 1% 1/10W
L100		057-10010-20	IND 0603 BLM11-B102S 0.1A	LK2		036-10000-00	RES 0805 0R 1/8W	R200		038-15470-10	RES 0603 47k 1% 1/10W	R327		038-15100-10	RES 0603 10k 1% 1/10W
L101		057-10010-20	IND 0603 BLM11-B102S 0.1A	LK3		036-10000-00	RES 0805 0R 1/8W	R201		038-15470-10	RES 0603 47k 1% 1/10W	R328		036-11330-00	RES 0805 3R3 5% 1/8W
L102		057-10010-20	IND 0603 BLM11-B102S 0.1A	LK5		036-10000-00	RES 0805 0R 1/8W	R202		038-15470-10	RES 0603 47k 1% 1/10W	R329		036-11330-00	RES 0805 3R3 5% 1/8W
L104		057-10081-06	IND 1806 BLM41P750S EMI suppn	LK7		036-10000-00	RES 0805 0R 1/8W	R203		038-15470-10	RES 0603 47k 1% 1/10W	R330		038-11470-00	RES 0603 4R7 5% 1/10W
L200		057-10010-20	IND 0603 BLM11-B102S 0.1A	LO2_BOT		319-01210-00	SHLD LPF T/Orca	R204		038-15470-10	RES 0603 47k 1% 1/10W	R331		038-16100-10	RES 0603 100k 1% 1/10W
L300		059-16270-00	IND 0603CS 270nH 5%	LPF_TOP		319-01251-00	SHLD can lpf TMA	R205		038-14560-00	RES 0603 5k6 5% 1/10W	R332		038-14100-10	RES 0603 1k0 1% 1/10W
L302		059-74680-35	IND 0603 6.8nH 5% SWI cer	MCM1	TM8100	XMABP10	Rmb TMA 40x41 EP1C6x5402	R206		038-14330-10	RES 0603 3k3 1% 1/10W	R333		038-10000-00	RES 0603 0R 5% 1/10W
L303		052-57423-70	COIL a/w 7T/2.3mm .57mm SMD	MCM1	TM8200	XMABP20	Rmb TMA 40x41 EP1C12x5402	R207		038-14120-10	RES 0603 1k2 1% 1/10W	R334		038-14100-10	RES 0603 1k0 1% 1/10W
L306		057-10081-06	IND 1806 BLM41P750S EMI suppn	PAD_TOP		319-01254-00	SHLD can pad TMA	R208		038-14120-10	RES 0603 1k2 1% 1/10W	R335		038-11470-00	RES 0603 4R7 5% 1/10W
L310		065-10009-20	FER bead 4S2 3x3x8.9mm BDS	PAF_TOP		319-01253-00	SHLD can Paf TMA	R209		038-14150-00	RES 0603 1k5 5% 1/10W	R336		038-15100-10	RES 0603 10k 1% 1/10W
L311		052-57423-70	COIL a/w 7T/2.3mm .57mm SMD	PCB		220-01697-11	PCB UHF 400-530MHz Mn TMA	R210		038-15470-10	RES 0603 47k 1% 1/10W	R337		038-11470-00	RES 0603 4R7 5% 1/10W
L315		152-57440-90	COIL a/w SMDP 9T/4.0mm 0.57mm	PIN_TOP		319-01252-00	SHLD can pin sw TMA	R211		038-14100-10	RES 0603 1k0 1% 1/10W	R338		036-12100-10	RES 0805 10R 1% 1/8W
L316		059-16120-00	IND 0603HS 120nH 5%	PL100		240-00027-01	CONN 4wy pwr male	R212		038-14470-10	RES 0603 4k7 1% 100ppm	R339		038-14470-10	RES 0603 4k7 1% 100ppm
L317		152-12533-30	COIL a/w SMDP 3T/3.3mm 1.25mm	Q200		000-10084-72	XSTR BC847BS NPN Dual SOT363	R213		038-10000-00	RES 0603 0R 5% 1/10W	R340		038-14330-10	RES 0603 3k3 1% 1/10W
L319	H5	152-12525-30	COIL a/w SMDP 3T/2.5mm 1.25mm	Q201		000-10085-71	XSTR SMD BC857BW PNP SOT323	R214		038-10000-00	RES 0603 0R 5% 1/10W	R341		038-14330-10	RES 0603 3k3 1% 1/10W
L319	H6	152-12523-30	COIL a/w SMDP 3T/2.3mm 1.25mm	Q300		000-10951-00	XSTR SMD PBR951 NPN SOT23	R215	TM8100	038-10000-00	RES 0603 0R 5% 1/10W	R342		038-17221-10	RES 0603 2M21 1% 1/10W
L320	H5	152-12520-30	COIL a/w SMDP 3T/2.0mm 1.25mm	Q301		000-10084-71	XSTR BC847BW NPN SOT323	R215	TM8200	038-10000-00	RES 0603 0R 5% 1/10W	R343		036-11470-00	RES 0805 4R7 5% 1/8W
L320	H6	152-12521-30	COIL a/w SMDP 3T/2.1mm 1.25mm	Q302		000-10084-73	XSTR BC847BPN NPN/PNP SOT363	R216		038-14470-10	RES 0603 4k7 1% 100ppm	R345		038-10000-00	RES 0603 0R 5% 1/10W
L321	H5	152-12525-30	COIL a/w SMDP 3T/2.5mm 1.25mm	Q303		000-10748-90	XSTR SGA7489 Casc Gain Block	R217		038-14150-00	RES 0603 1k5 5% 1/10W	R346		038-14220-00	RES 0603 2k2 5% 1/10W
L321	H6	152-12523-30	COIL a/w SMDP 3T/2.3mm 1.25mm	Q304		000-10084-71	XSTR BC847BW NPN SOT323	R218		038-14150-00	RES 0603 1k5 5% 1/10W	R347		038-16100-10	RES 0603 100k 1% 1/10W
L322	H5	018-11270-10	CAP 0603 2p7 50V NPO ±0.1pF	Q305		000-10084-71	XSTR BC847BW NPN SOT323	R219		038-15100-10	RES 0603 10k 1% 1/10W	R348		036-01470-03	RES 1218 4R7 5% 1W
L322	H6	059-15220-00	IND 0603HS 22nH 5%	Q306		000-10055-03	XSTR PD55003 3W 12.5V SO10 RF	R220		038-15100-10	RES 0603 10k 1% 1/10W	R350		038-14470-10	RES 0603 4k7 1% 100ppm
L325		059-16560-10	IND 1008CS 560nH 5%	Q307		000-10084-71	XSTR BC847BW NPN SOT323	R221		038-16100-00	RES 0603 180k 5% 1/10W	R351		036-01470-03	RES 1218 4R7 5% 1W
L400		057-00015-00	IND fxd 1206 15nH ±5%	Q308		000-10084-71	XSTR BC847BW NPN SOT323	R222		038-16100-10	RES 0603 100k 1% 1/10W	R353		038-16100-10	RES 0603 100k 1% 1/10W
L401		057-10010-20	IND 0603 BLM11-B102S 0.1A	Q309		000-10055-15	XSTR PD55015S 15W 12.5V SO10RF	R223		038-14390-10	RES 0603 3k9 1% 1/10W	R354		038-12470-00	RES 0603 47R 5% 1/10W
L402		059-75180-55	IND 0805 18nH 5% SWI cer	Q310		000-10055-15	XSTR PD55015S 15W 12.5V SO10RF	R224		038-15150-10	RES 0603 15k 1% 1/10W	R355		036-03110-10	RES 2512 10R 5% 1W
L403		059-17180-10	IND 1008CS 1.8uH 5%	Q311		000-10442-71	XSTR SI4427BDY PCH Mfet SO8	R225		038-12470-00	RES 0603 47R 5% 1/10W	R356		038-12470-00	RES 0603 47R 5% 1/10W
L404		057-10010-20	IND 0603 BLM11-B102S 0.1A	Q312		000-10084-71	XSTR BC847BW NPN SOT323	R226		038-14220-00	RES 0603 2k2 5% 1/10W	R357		038-15100-10	RES 0603 10k 1% 1/10W
L405		057-10010-20	IND 0603 BLM11-B102S 0.1A	Q313		000-10084-71	XSTR BC847BW NPN SOT323	R227		038-14220-00	RES 0603 2k2 5% 1/10W	R360		038-16820-00	RES 0603 820k 5% 1/10W
L406		059-16120-10	IND 1008CS 120nH 5%	Q400		000-10085-70	XSTR BC856 PNP Dual SOT363	R228		038-15100-10	RES 0603 10k 1% 1/10W	R361		038-16820-00	RES 0603 820k 5% 1/10W
L407		057-00015-00	IND fxd 1206 15nH ±5%	Q401		000-10036-00	XSTR SMD BFR360F NPN Inoise	R229		038-15470-10	RES 0603 47k 1% 1/10W	R362		038-16820-00	RES 0603 820k 5% 1/10W
L408		057-10010-20	IND 0603 BLM11-B102S 0.1A	Q402		000-10084-71	XSTR BC847BW NPN SOT323	R230		038-15470-10	RES 0603 47k 1% 1/10W	R363		038-16820-00	RES 0603 820k 5% 1/10W
L409		057-00015-00	IND fxd 1206 15nH ±5%	Q403		000-10001-71	XSTR RF BFS17W NPN SOT323UHF	R231		038-14120-10	RES 0603 1k2 1% 1/10W	R364		038-15330-10	RES 0603 33k 1% 1/10W
L411		056-76820-50	IND 0805 820nH 10% EBL	Q404		000-10036-00	XSTR SMD BFR360F NPN Inoise	R232		038-15470-10	RES 0603 47k 1% 1/10W	R365		038-15100-10	RES 0603 10k 1% 1/10W
L412		056-76820-50	IND 0805 820nH 10% EBL	Q405		000-10000-90	XSTR PUMD9 Dual NPN/PNP SOT363	R233		038-15470-10	RES 0603 47k 1% 1/10W	R366		038-17100-10	RES 0603 1M 1% 1/10W
L414		057-10010-20	IND 0603 BLM11-B102S 0.1A	Q500		000-10085-71	XSTR SMD BC857BW PNP SOT323	R234		038-15470-10	RES 0603 47k 1% 1/10W	R367		038-17100-10	RES 0603 1M 1% 1/10W
L415		059-76560-85	IND 1008 560nH 5% SWI cer	Q501		000-10001-71	XSTR RF BFS17W NPN SOT323UHF	R235		038-15470-10	RES 0603 47k 1% 1/10W	R368		038-16470-00	RES 0603 470k 5% 1/10W
L417		059-76560-85	IND 1008 560nH 5% SWI cer	Q502		000-10084-71	XSTR BC847BW NPN SOT323	R236		038-14100-10	RES 0603 1k0 1% 1/10W	R369		038-16470-00	RES 0603 470k 5% 1/10W
L419		057-10010-20	IND 0603 BLM11-B102S 0.1A	Q503		000-10001-71	XSTR RF BFS17W NPN SOT323UHF	R238		038-14120-10	RES 0603 1k2 1% 1/10W	R370		038-16120-10	RES 0603 120k 1% 1/10W
L500		059-17470-15	IND 1008CS 4.7uH 2%	Q504		000-10941-00	XSTR SMD PBR941 NPN SOT23	R239		038-16100-10	RES 0603 100k 1% 1/10W	R371		038-16120-10	RES 0603 120k 1% 1/10W
L501		159-77220-35	IND 0603 2.2uH 10% SMI F	Q505		000-10084-71	XSTR BC847BW NPN SOT323	R240		038-16120-10	RES 0603 120k 1% 1/10W	R372		038-15470-10	RES 0603 47k 1% 1/10W
L502		050-10000-40	COIL DC/DC cnvrtr	Q506		000-10085-70	XSTR BC856 PNP Dual SOT363	R241		038-14470-10	RES 0603 4k7 1% 100ppm	R373		038-15100-10	RES 0603 10k 1% 1/10W
L503		059-17470-15	IND 1008CS 4.7uH 2%	Q507		000-10084-72	XSTR BC847BS NPN Dual SOT363	R242		038-14100-10	RES 0603 1k0 1% 1/10W	R374		038-15470-10	RES 0603 47k 1% 1/10W
L504		059-17470-15	IND 1008CS 4.7uH 2%	Q508		000-10084-72	XSTR BC847BS NPN Dual SOT363	R243		038-15100-10	RES 0603 10k 1% 1/10W	R375		038-15220-10	RES 0603 22k 1% 1/10W
L505		059-17820-10	IND 1008LS 8.2uH 5%	Q510		000-10941-00	XSTR SMD PBR941 NPN SOT23	R245		038-15100-10	RES 0603 10k 1% 1/10W	R376		038-15470-10	RES 0603 47k 1% 1/10W
L506		057-10010-20	IND 0603 BLM11-B102S 0.1A	Q511		000-10084-73	XSTR BC847BPN NPN/PNP SOT363	R246		038-15100-10	RES 0603 10k 1% 1/10W	R377		038-15100-10	RES 0603 10k 1% 1/10W
L507	H5	059-15220-00	IND 0603HS 22nH 5%	Q512		000-10084-71	XSTR BC847BW NPN SOT323	R247		038-15100-10	RES 0603 10k 1% 1/10W	R378		038-15470-10	RES 0603 47k 1% 1/10W
L507	H6	059-15120-00	IND 0603HS 12nH 5%	Q600		000-10085-71	XSTR SMD BC857BW PNP SOT323	R249		038-10000-00	RES 0603 0R 5% 1/10W	R379		038-14680-10	RES 0603 6k8 1% 1/10W
L509		059-16330-05	IND 0805CS 330nH 5%	Q601		000-10084-71	XSTR BC847BW NPN SOT323	R250		038-16100-10	RES 0603 100k 1% 1/10W	R380		038-14220-00	RES 0603 2k2 5% 1/10W
L510	H5	052-57423-40	COIL a/w 4T/2.3mm .57mm SMD	Q602		000-10084-71	XSTR BC847BW NPN SOT323	R251		038-10000-00	RES 0603 0R 5% 1/10W	R381		038-15470-10	RES 0603 47k 1% 1/10W
L510	H6	052-57419-40	COIL a/w 4T/1.9mm .57mm SMD	Q603		000-10002-05	XSTR SMD BSH205 P Mfet SOT23	R252		038-12220-00	RES 0603 22R 5% 1/10W	R382		038-14470-10	RES 0603 4k7 1% 100ppm
L513		059-16330-05	IND 0805CS 330nH 5%	Q604		000-10084-71	XSTR BC847BW NPN SOT323	R253		038-12220-00	RES 0603 22R 5% 1/10W	R383		038-12820-00	RES 0603 82R 5% 1/10W
L514		059-16330-05	IND 0805CS 330nH 5%	Q605		000-10002-05	XSTR SMD BSH205 P Mfet SOT23	R300		036-02680-02	RES 1206 68R 5% 0.25W 200V	R384		038-12820-00	RES 0603 82R 5% 1/10W
L515		059-16330-05	IND 0805CS 330nH 5%	Q700		000-10085-71	XSTR SMD BC857BW PNP SOT323	R301		036-11180-10	RES 0805 1R8 1% 1/8W	R385		038-14470-10	RES 0603 4k7 1% 100ppm
L516		059-16330-05	IND 0805CS 330nH 5%	Q701		000-10084-73	XSTR BC847BPN NPN/PNP SOT363	R302		036-11330-00	RES 0805 3R3 5% 1/8W	R386		038-14220-00	RES 0603 2k2 5% 1/10W
L519		052-57421-40	COIL a/w 4T/2.1mm .57mm SMD	Q702		000-10084-71	XSTR BC847BW NPN SOT323	R303	</						

Parts List

PCB IPN 220-01697-11

Ref	Var	IPN	Description	Ref	Var	IPN	Description	Ref	Var	IPN	Description	Ref	Var	IPN	Description
R412		038-14330-10	RES 0603 3k3 1% 1/10W	R549		038-12220-00	RES 0603 22R 5% 1/10W	R708		038-15220-10	RES 0603 22k 1% 1/10W	R5006	H6	038-14220-00	RES 0603 2k2 5% 1/10W
R413		038-14270-00	RES 0603 2k7 5% 1/10W	R550		038-15180-00	RES 0603 18k 5% 1/10W	R709		038-15470-10	RES 0603 47k 1% 1/10W	R5007	H5	038-14100-10	RES 0603 1k0 1% 1/10W
R414	H5	038-12100-10	RES 0603 10R 1% 1/10W	R551		038-14270-00	RES 0603 2k7 5% 1/10W	R710		038-15470-10	RES 0603 47k 1% 1/10W	R5007	H6	038-14120-10	RES 0603 1k2 1% 1/10W
R414	H6	038-12220-00	RES 0603 22R 5% 1/10W	R552		038-15120-10	RES 0603 12k 1% 1/10W	R711		038-15470-10	RES 0603 47k 1% 1/10W	R5008	H5	038-14100-10	RES 0603 1k0 1% 1/10W
R415		038-13180-10	RES 0603 180R 1% 1/10W	R554	H5	038-14150-00	RES 0603 1k5 5% 1/10W	R712		038-14470-10	RES 0603 4k7 1% 100ppm	R5008	H6	038-14120-10	RES 0603 1k2 1% 1/10W
R416		038-15220-10	RES 0603 22k 1% 1/10W	R554	H6	038-14180-00	RES 0603 1k8 5% 1/10W	R713		038-15330-10	RES 0603 33k 1% 1/10W	R5010		038-15100-10	RES 0603 10k 1% 1/10W
R417		038-14470-10	RES 0603 4k7 1% 100ppm	R555		038-16100-10	RES 0603 100k 1% 1/10W	R714		038-12560-00	RES 0603 56R 5% 1/10W	R5011		038-15220-10	RES 0603 22k 1% 1/10W
R418		038-14680-10	RES 0603 6k8 1% 1/10W	R556	H5	038-14680-10	RES 0603 6k8 1% 1/10W	R715		038-13820-00	RES 0603 820R 5% 1/10W	R5012		038-14220-00	RES 0603 2k2 5% 1/10W
R419		038-12150-10	RES 0603 15R 1% 1/10W	R556	H6	038-14820-00	RES 0603 8k2 5% 1/10W	R716		038-15100-10	RES 0603 10k 1% 1/10W	R5014		038-15100-10	RES 0603 10k 1% 1/10W
R420		038-14100-10	RES 0603 1k0 1% 1/10W	R557		038-14220-00	RES 0603 2k2 5% 1/10W	R717		038-15470-10	RES 0603 47k 1% 1/10W	R5100	H5	038-13220-10	RES 0603 220R 1% 1/10W
R421		038-15100-10	RES 0603 10k 1% 1/10W	R558		038-14470-10	RES 0603 4k7 1% 100ppm	R718		038-15100-10	RES 0603 10k 1% 1/10W	R5100	H6	038-13390-10	RES 0603 390R 1% 1/10W
R422		038-16100-10	RES 0603 100k 1% 1/10W	R559		038-14220-00	RES 0603 2k2 5% 1/10W	R719		038-14560-00	RES 0603 5k6 5% 1/10W	R5101		038-14220-00	RES 0603 2k2 5% 1/10W
R423		038-16100-10	RES 0603 100k 1% 1/10W	R560		038-14220-00	RES 0603 2k2 5% 1/10W	R720		038-15100-10	RES 0603 10k 1% 1/10W	R5102		038-15150-10	RES 0603 15k 1% 1/10W
R424		038-12470-00	RES 0603 47R 5% 1/10W	R561		038-12220-00	RES 0603 22R 5% 1/10W	R721		038-15470-10	RES 0603 47k 1% 1/10W	R5103		038-14820-00	RES 0603 8k2 5% 1/10W
R425		038-14120-10	RES 0603 1k2 1% 1/10W	R562		038-12470-00	RES 0603 47R 5% 1/10W	R722		038-13560-10	RES 0603 560R 1% 1/10W	SK100		240-10006-00	SKT 2row RA 2.54mm SMD
R426		038-14150-00	RES 0603 1k5 5% 1/10W	R563		038-12330-20	RES 0603 33R0 0.5% 1/10W	R723		038-15330-10	RES 0603 33k 1% 1/10W	SK101		240-02022-00	SKT Drng 15wy RA Slim Line Fem
R427		038-14150-00	RES 0603 1k5 5% 1/10W	R564		038-13330-00	RES 0603 330R 5% 1/10W	R724		038-15330-10	RES 0603 33k 1% 1/10W	SK102		240-10000-11	CONN 18wy skt M/M SMD
R428		038-13560-10	RES 0603 560R 1% 1/10W	R565		038-14180-00	RES 0603 1k8 5% 1/10W	R725		038-15330-10	RES 0603 33k 1% 1/10W	SK103		240-00028-00	CONN RF fem BNC
R429		038-14150-00	RES 0603 1k5 5% 1/10W	R566		038-15270-20	RES 0603 27k 0.5% 1/10W	R726		038-15330-10	RES 0603 33k 1% 1/10W	SPARE1		036-10000-00	RES 0805 0R 1/8W
R430		038-15390-10	RES 0603 39k2 1% 1/10W	R567		038-12220-00	RES 0603 22R 5% 1/10W	R727		038-15330-10	RES 0603 33k 1% 1/10W	SPARE2		036-10000-00	RES 0805 0R 1/8W
R431		038-17100-10	RES 0603 1M 1% 1/10W	R568		038-14330-10	RES 0603 3k3 1% 1/10W	R728		038-15330-10	RES 0603 33k 1% 1/10W	SPARE3		036-10000-00	RES 0805 0R 1/8W
R432		038-17100-10	RES 0603 1M 1% 1/10W	R569		038-16100-10	RES 0603 100k 1% 1/10W	R729		038-15330-10	RES 0603 33k 1% 1/10W	SYN_BOT		319-01205-00	SHLD top side VCO T/Orca
R433		038-14120-10	RES 0603 1k2 1% 1/10W	R570		038-15270-20	RES 0603 27k 0.5% 1/10W	R730		038-15330-10	RES 0603 33k 1% 1/10W	SYN_TOP		319-01260-00	SHLD can Synth 6.7mm TMA
R434		038-15270-00	RES 0603 27k 5% 1/10W	R571		038-13390-10	RES 0603 390R 1% 1/10W	R731		038-14100-10	RES 0603 1k0 1% 1/10W	T400		050-10061-72	BALUN mxr 617dB-A0229
R435		038-13470-00	RES 0603 470R 5% 1/10W	R572		038-12220-00	RES 0603 22R 5% 1/10W	R732		038-14100-10	RES 0603 1k0 1% 1/10W	T401		050-10061-72	BALUN mxr 617dB-A0229
R436		038-13560-10	RES 0603 560R 1% 1/10W	R573		038-12330-20	RES 0603 33R0 0.5% 1/10W	R733		038-14100-10	RES 0603 1k0 1% 1/10W	VCO_BOT		319-01206-01	SHLD btm side VCO T/Orca
R437		038-13680-00	RES 0603 680R 5% 1/10W	R574		038-14100-10	RES 0603 1k0 1% 1/10W	R734		038-14100-10	RES 0603 1k0 1% 1/10W	VCO_TOP		319-01205-00	SHLD top side VCO T/Orca
R438		038-13680-00	RES 0603 680R 5% 1/10W	R575		038-12220-00	RES 0603 22R 5% 1/10W	R735		038-14100-10	RES 0603 1k0 1% 1/10W	VCXO_BOT		319-01257-00	SHLD can frt end TMA
R439		038-15100-10	RES 0603 10k 1% 1/10W	R576		038-12220-00	RES 0603 22R 5% 1/10W	R736		038-14100-10	RES 0603 1k0 1% 1/10W	XF400		276-10000-18	FLTR xtal 45.1MHz 12kHz bw
R500		038-16100-10	RES 0603 100k 1% 1/10W	R577		038-12220-00	RES 0603 22R 5% 1/10W	R737		038-14100-10	RES 0603 1k0 1% 1/10W	XF401		276-10000-13	FLTR xtal 45.1MHz 15kHz bw
R501		038-12220-00	RES 0603 22R 5% 1/10W	R578		038-14100-10	RES 0603 1k0 1% 1/10W	R738		038-14100-10	RES 0603 1k0 1% 1/10W	XL500		539-10011-00	VCTCXO 13.0MHz ±1.5ppm -30+80°
R502		038-16100-10	RES 0603 100k 1% 1/10W	R579		038-14470-10	RES 0603 4k7 1% 100ppm	R739		038-14100-10	RES 0603 1k0 1% 1/10W	XL501		274-10022-00	XTAL 13.0133MHz HC49/SM ±30ppm
R503		038-12220-00	RES 0603 22R 5% 1/10W	R580		038-12220-00	RES 0603 22R 5% 1/10W	R740		038-16100-10	RES 0603 100k 1% 1/10W				
R504		038-16150-10	RES 0603 150k 1% 1/10W	R581		038-14560-00	RES 0603 5k6 5% 1/10W	R741		038-16100-10	RES 0603 100k 1% 1/10W				
R505		038-13100-10	RES 0603 100R 1% 1/10W	R582		038-14560-00	RES 0603 5k6 5% 1/10W	R742		038-16100-10	RES 0603 100k 1% 1/10W				
R506		038-13820-00	RES 0603 820R 5% 1/10W	R583		038-12220-00	RES 0603 22R 5% 1/10W	R743		038-14100-10	RES 0603 1k0 1% 1/10W				
R507		038-12470-00	RES 0603 47R 5% 1/10W	R584	H5	038-13330-00	RES 0603 330R 5% 1/10W	R744		038-12470-00	RES 0603 47R 5% 1/10W				
R508		038-15100-10	RES 0603 10k 1% 1/10W	R584	H6	038-13390-10	RES 0603 390R 1% 1/10W	R745		038-16100-10	RES 0603 100k 1% 1/10W				
R509		038-12470-00	RES 0603 47R 5% 1/10W	R585		038-12220-00	RES 0603 22R 5% 1/10W	R746		038-15100-10	RES 0603 10k 1% 1/10W				
R510		038-13390-10	RES 0603 390R 1% 1/10W	R587		038-12220-00	RES 0603 22R 5% 1/10W	R747		038-10000-00	RES 0603 0R 5% 1/10W				
R511		038-16100-10	RES 0603 100k 1% 1/10W	R588		038-12470-00	RES 0603 47R 5% 1/10W	R748		038-14470-10	RES 0603 4k7 1% 100ppm				
R512		038-12180-00	RES 0603 18R 5% 1/10W	R590		038-14470-10	RES 0603 4k7 1% 100ppm	R749		038-14470-10	RES 0603 4k7 1% 100ppm				
R513		038-10000-00	RES 0603 0R 5% 1/10W	R591		038-14220-00	RES 0603 2k2 5% 1/10W	R750		038-14470-10	RES 0603 4k7 1% 100ppm				
R514		038-15100-10	RES 0603 10k 1% 1/10W	R592		038-14470-10	RES 0603 4k7 1% 100ppm	R751		038-14470-10	RES 0603 4k7 1% 100ppm				
R515		038-15100-10	RES 0603 10k 1% 1/10W	R593		038-14560-00	RES 0603 5k6 5% 1/10W	R753		038-14470-10	RES 0603 4k7 1% 100ppm				
R517		038-15560-10	RES 0603 56k 1% 1/10W	R594		038-14270-00	RES 0603 2k7 5% 1/10W	R754		038-14470-10	RES 0603 4k7 1% 100ppm				
R518		038-15100-10	RES 0603 10k 1% 1/10W	R598		038-14270-00	RES 0603 2k7 5% 1/10W	R755		038-14470-10	RES 0603 4k7 1% 100ppm				
R519		038-12470-00	RES 0603 47R 5% 1/10W	R600		038-15330-10	RES 0603 33k 1% 1/10W	R756		038-14470-10	RES 0603 4k7 1% 100ppm				
R520		038-12470-00	RES 0603 47R 5% 1/10W	R601		038-15330-10	RES 0603 33k 1% 1/10W	R757		038-15470-10	RES 0603 47k 1% 1/10W				
R521		038-15100-10	RES 0603 10k 1% 1/10W	R602		038-10000-00	RES 0603 0R 5% 1/10W	R758		038-15470-10	RES 0603 47k 1% 1/10W				
R522		038-12560-00	RES 0603 56R 5% 1/10W	R603		038-14100-10	RES 0603 1k0 1% 1/10W	R759		038-15470-10	RES 0603 47k 1% 1/10W				
R523		038-16100-10	RES 0603 100k 1% 1/10W	R604		038-13270-10	RES 0603 270R 1% 1/10W	R760		038-15470-10	RES 0603 47k 1% 1/10W				
R524		038-15560-10	RES 0603 56k 1% 1/10W	R605		038-15470-10	RES 0603 47k 1% 1/10W	R761		038-12560-00	RES 0603 56R 5% 1/10W				
R525		038-12470-00	RES 0603 47R 5% 1/10W	R607		038-15100-10	RES 0603 10k 1% 1/10W	R762		038-12560-00	RES 0603 56R 5% 1/10W				
R526		038-14100-10	RES 0603 1k0 1% 1/10W	R610		038-15120-10	RES 0603 12k 1% 1/10W	R763		038-12560-00	RES 0603 56R 5% 1/10W				
R527		038-15330-10	RES 0603 33k 1% 1/10W	R611		038-11470-00	RES 0603 4R7 5% 1/10W	R764		038-12560-00	RES 0603 56R 5% 1/10W				
R528		038-13470-00	RES 0603 470R 5% 1/10W	R612		038-10000-00	RES 0603 0R 5% 1/10W	R765		038-15470-10	RES 0603 47k 1% 1/10W				
R529		038-16100-10	RES 0603 100k 1% 1/10W	R614		038-10000-00	RES 0603 0R 5% 1/10W	R766		038-15470-10	RES 0603 47k 1% 1/10W				
R530		038-13100-10	RES 0603 100R 1% 1/10W	R615		038-15470-10	RES 0603 47k 1% 1/10W	R767		038-15470-10	RES 0603 47k 1% 1/10W				
R531		038-13820-00	RES 0603 820R 5% 1/10W	R616		038-15470-10	RES 0603 47k 1% 1/10W	R768		038-10000-00	RES 0603 0R 5% 1/10W				
R532		038-14100-10	RES 0603 1k0 1% 1/10W	R617		038-15470-10	RES 0603 47k 1% 1/10W	R769		036-15330-10	RES 0805 33k 1% 1/8W				

Grid Reference Index

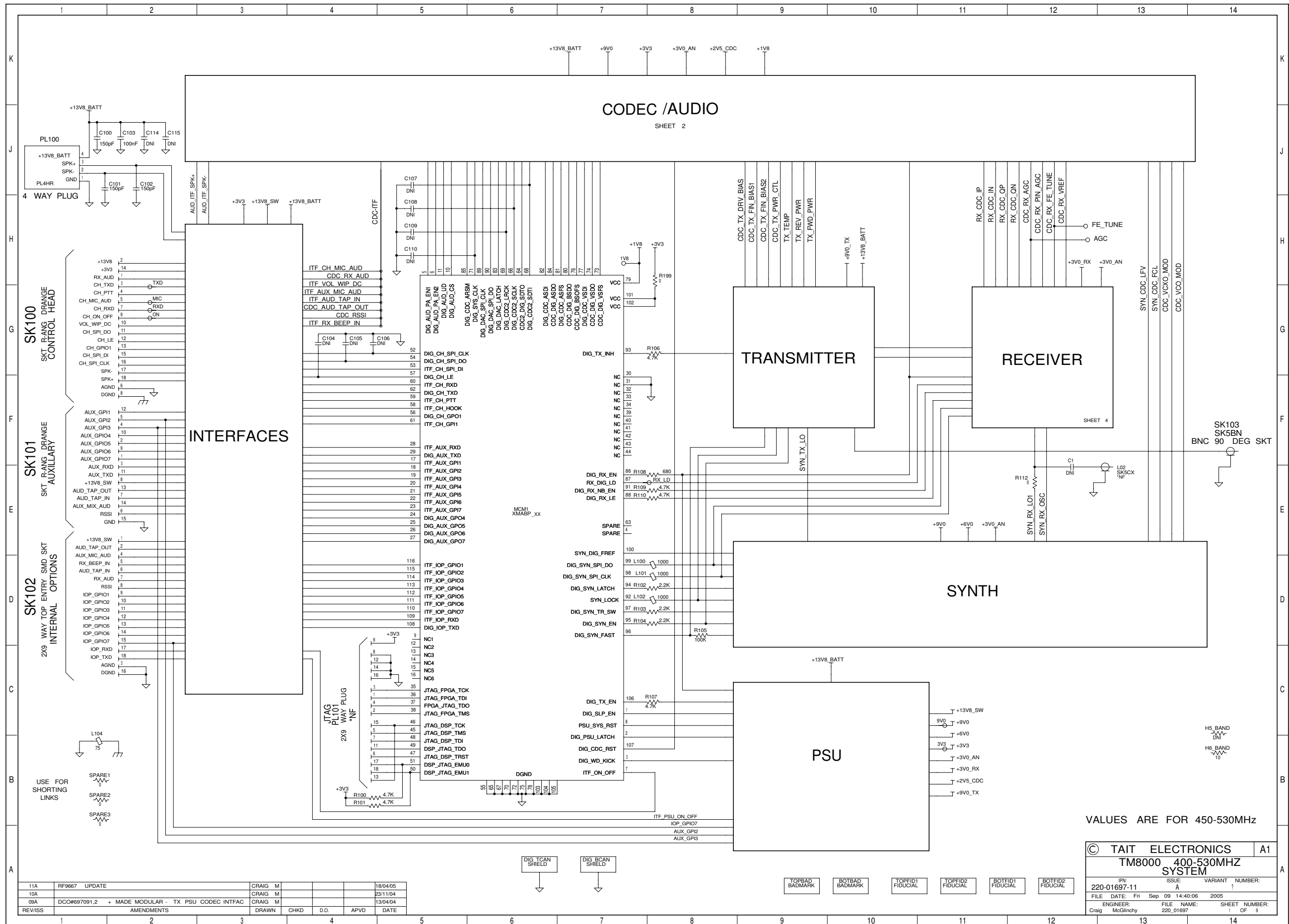
PCB IPN 220-01697-11

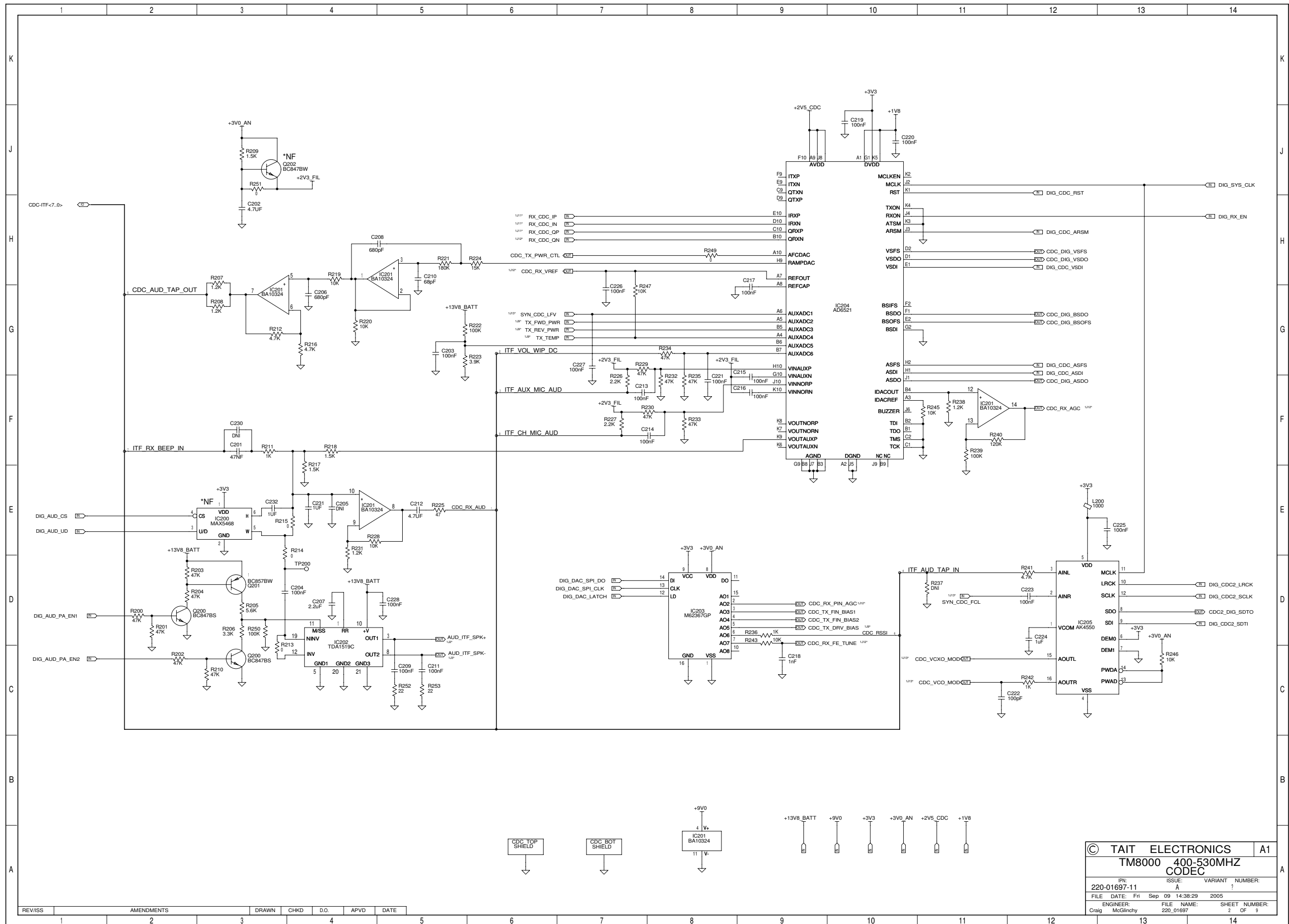
Ref	PCB	Circuit	Ref	PCB	Circuit	Ref	PCB	Circuit	Ref	PCB	Circuit	Ref	PCB	Circuit	Ref	PCB	Circuit	Ref	PCB	Circuit	Ref	PCB	Circuit
+9V0_TX	1:D3	4B6	C324	1:E4	4H7	C396D	1:D7	3E7	C432	1:D1	6F7	C536	1:J6	7J6	C703	1:G1	9G3	D602	2:M7	8E5 8D5	IC605	2:M8	8B7
1V8	1:N1	1H7	C325	1:H9	3F4	C396E	1:D7	3E7	C433	1:D1	6G7	C537	1:H5	7H6	C704	1:H1	9F3	D603	2:N7	8D3	IC606	1:F6	8C4
3V3	1:L6	1B11	C326	1:G8	3D5	C396F	1:D7	3E7	C434	1:E1	6H7	C538	2:H5	7E6	C705	1:H2	9F3	D604	2:N6	8C3	IC5100	2:G4	7C8
9V0	2:K4	1C11	C327	1:G8	3D5	C396G	1:D8	3E7	C435	1:D1	6G7	C539	1:G5	7K7	C706	1:G1	9E3	D606	2:L8	8E6	IF_TOP	1:F3	6A8
AGC	1:J2	1H12	C328	1:G7	3E5	C397B	1:E9	3C6	C436	2:H2	6D7	C540	1:G5	7J7	C707	1:F1	9B3	D700	1:G1	9J2	L02	2:D3	1E13
BOTBAD	2:R10	1A10	C329	1:G9	3D5	C397C	1:D9	3C6	C437	1:D2	6F7	C541	1:H5	7F7	C708	1:F1	9B2	D701	1:G2	9J3	L100	1:K5	1D8
BOTFID1	2:A10	1A11	C330	1:C10	3F5	C397D	1:D9	3C7	C438	1:E2	6G8	C542	1:G5	7J7	C709	1:F1	9B3	D702	1:F1	9D2 9E2	L101	1:K5	1D8
BOTFID2	2:P1	1A12	C331	1:F8	3E5	C397E	1:D9	3C7	C439	1:E1	6G8	C543	2:H5	7D7	C710	1:F2	9D3	D703	1:F2	9E3	L102	1:K4	1D8
C1	2:E3	1E12	C333	1:C9	3E5	C397F	1:D9	3C7	C440	1:G3	6C8	C544	2:H5	7F7	C711	1:G2	9C3	D704	1:F2	9E2	L104	1:H1	1B1
C100	1:J10	1J1	C334	1:F8	3D5	C397G	1:D8	3C7	C441	1:E2	6G8	C545	2:F4	7C6	C712	1:G2	9J3	D705	2:N7	9E7 9J7	L200	1:K1	2E12
C101	1:K9	1J1	C335	1:J10	3F4	C398A	1:D8	3D7	C442	1:H3	6C9	C546	1:H5	7J8	C713	1:F2	9E3	D706	2:N7	9H7 9J7	L300	1:K6	5C6
C102	1:J10	1J2	C336	1:J10	3G4	C398B	1:D8	3E8	C443	1:G3	6C9	C547	2:G5	7C8	C714	1:G1	9C5	D707	2:N7	9G7 9H7	L301	1:H6	5B2
C103	1:L9	1J2	C337	1:C9	3E6	C398C	1:D8	3D8	C444	1:G3	6D9	C548	1:H4	7G8	C715	1:H1	9C5	D708	2:N8	9F7 9G7	L302	1:K8	3D3
C104	2:N2	1G4	C338	1:F7	4E4	C398D	1:D8	3E8	C445	1:H2	6C9	C549	2:G4	7C7	C717	1:R9	9J6	D709	1:R9	9K11	L303	1:H9	3E4
C105	2:N2	1G4	C339	1:F7	4C4	C398E	1:D8	3D8	C446	1:G2	6C9	C550	2:H5	7H8	C718	2:L9	9C13	D710	1:R9	9J11	L306	1:G9	3F4
C106	2:P2	1G4	C340	2:G10	3F4	C398F	1:D8	3E8	C448	1:H2	6D9	C551	1:G6	7J8	C719	2:M9	9C11	D711	2:P9	9J11 9G11	L307	1:G8	3D5
C107	2:M2	1J5	C341	1:D6	4E5	C398G	1:C8	3D8	C449	1:G3	6C11	C552	1:F4	7D8	C720	2:L9	9B11	D712	2:R6	9C2 9D2	L308	1:G8	3D5
C108	2:M2	1H5	C342	1:E6	4D5	C398H	1:C8	3E8	C450	1:H3	6E10	C553	2:G4	7C7	C721	2:M9	9B11	D713	2:N9	9H12	L309	1:G10	3F5
C109	2:M2	1H5	C343	1:D6	4E6	C398I	1:C8	3D8	C451	1:E3	6G10	C554	2:G4	7C7	C722	2:M9	9B11	D714	2:P9	9G12	L310	1:C9	3F6
C110	2:L2	1H5	C344	1:D6	4C6	C398J	1:C8	3D8	C452	1:E3	6G10	C555	1:G4	7G9	C723	1:N10	9D13	D715	2:R9	9F11 9E11	L311	1:C9	3E6
C114	2:J9	1J2	C345	2:D4	4H10	C399A	1:C8	3E8	C453	1:E3	6G10	C556	1:H4	7J9	C724	1:N10	9D13	D716	2:P9	9F12	L312	1:D8	3D7
C115	2:J9	1J2	C346	1:D4	3J8	C399B	1:C8	3E8	C454	1:E2	6G11	C557	1:E4	7E9	C725	1:N10	9H13	D717	2:P9	9E12	L313	1:C8	3E8
C201	2:N6	2F3	C347	1:C4	3J8	C399C	1:C8	3E8	C455	1:H3	6E11	C558	1:H4	7J9	C726	1:P10	9G13	D718	2:N9	9D11	L314	1:C6	3G8
C202	2:K2	2H3	C348	1:C5	3H8	C399D	1:C8	3E8	C456	1:F2	6G11	C559	2:F5	7D9	C727	1:P10	9F13	D719	1:F1	9B2 9B1	L315	1:C3	3H10
C203	1:K2	2G5	C349	1:C5	3H8	C399E	1:C7	3E8	C457	1:H3	6D11	C560	1:E4	7E9	C728	1:P10	9E13	D720	1:M9	9K12	L316	1:B2	3H10
C204	1:N6	2D3	C350	1:C5	3G8	C399F	1:C7	3E8	C458	1:H3	6D11	C561	1:F4	7E9	C729	1:M9	9K13	D721	1:N9	9H5	L317	1:A3	3G10
C205	2:M6	2E4	C351	1:D4	3J9	C399G	1:C7	3E8	C459	1:H3	6D11	C562	1:H6	7J10	C730	1:M9	9J13	D722	1:L10	9J12	L319	1:B5	3H11
C206	2:K1	2G4	C352	1:C4	3F9	C399H	1:C7	3F8	C460	1:H2	6C11	C563	2:E4	7E10	C731	1:N9	9J13	D723	2:M9	9J12	L320	1:B7	3H12
C207	1:R6	2D4	C353	1:C3	3H10	C399I	1:C7	3F8	C462	1:F2	6G11	C564	2:F5	7D10	C732	1:F1	9B3	D724	2:M9	9D11	L321	1:B8	3H13
C208	2:K2	2H5	C354	1:C2	3H10	C399J	1:C7	3F8	C463	1:G3	6E11	C565	1:F4	7F10	C733	1:F1	9A7	D725	2:N9	9D12	L322	1:B2	3G11
C209	1:R6	2C5	C355	1:C2	3G10	C399K	1:C7	3F8	C464	1:H3	6D11	C566	1:G5	7J10	C3000	2:D4	4F10	D726	1:G2	9C3 9D3	L323	1:D9	3E6
C210	2:K1	2H5	C356	1:C3	3G10	C399L	1:C7	3F8	C465	1:H3	6C11	C567	2:G5	7B11	C3002	1:D9	3E6	DIG_BCAN	2:N4	1A7	L325	1:A2	3F12
C211	1:R7	2C5	C357	1:C4	3F10	C399M	1:C7	3F8	C466	1:G2	6C12	C568	1:F4	7D11	C3003	1:D9	3F5	DIG_ICAN	1:N4	1A6	L400	1:C2	6F2
C212	2:K1	2E5	C358	2:E5	4H5	C399N	1:C7	3F8	C467	1:F3	6G12	C569	1:F5	7D11	C3035	1:B2	3F12	DIRC_TOP	1:C4	3E13	L401	2:F3	6E4
C213	1:J3	2F7	C359	1:C2	3J10	C399O	1:C6	3F8	C468	1:F3	6G12	C570	2:G5	7B11	C5004	2:G6	7C13	DRV	1:E3	4J4	L402	1:C1	6G4
C214	1:K2	2F8	C360	1:B2	3H10	C399P	1:C6	3F8	C469	1:G3	6E12	C571	1:G5	7F11	C5005	2:G6	7C13	FCL_TOP	1:J5	7A9	L403	1:C1	6G4
C215	1:J3	2F9	C361	1:A4	3H11	C399Q	1:C6	3F8	C470	1:F3	6G13	C572	2:E5	7E12	C5006	2:F5	7C12	FE_TOP	1:D1	6A7	L404	1:D2	6H5
C216	1:J3	2F9	C362	1:B4	3H11	C399R	1:C6	3F8	C471	1:F2	6G13	C573	2:F6	7D12	C5085	1:G5	7G8	FE_TUNE	1:J2	1H12	L405	1:D1	6H5
C217	2:K2	2G9	C363	1:B4	3H11	C399S	1:C6	3F8	C472	1:F3	6H14	C574	1:F5	7E12	C5086	1:H5	7G8	FIN1	1:E3	4E8	L406	2:G3	6D5
C218	2:J2	2C9	C364	1:A4	3G11	C399T	1:C6	3F8	C473	1:F3	6H14	C575	1:E5	7E12	C5087	1:H5	7G8	FIN2	1:E3	4D8	L407	1:D1	6F6
C219	2:K3	2J10	C365	1:E6	3J5	C399U	1:C6	3G8	C474	1:F2	6G14	C576	2:F6	7D13	C5088	1:G4	7F8	FWD_PWR	1:D4	4J11	L408	2:F3	6E6
C220	2:K2	2J10	C366	1:A4	3H11	C399V	1:C6	3G8	C476	2:C2	6H2	C577	1:G4	7F13	C5089	1:H4	7F8	GND	1:D3	4B7	L409	1:D2	6F7
C221	1:K2	2F8	C367	1:A2	3G11	C399W	1:C5	3G8	C500	1:J2	7J1	C578	1:E5	7E13	C5100	2:G4	7C7	H5_BAND	1:E1	1C14	L411	1:H3	6C9
C222	1:K2	2C11	C368	1:A2	3G11	C399X	1:C5	3G8	C501	1:K6	7B1	C579	1:G5	7G7	C5102	2:G4	7C9	H6_BAND	1:E1	1B14	L412	1:H3	6C9
C223	1:K1	2D12	C369	1:A5	3G11	C399Y	1:C5	3G8	C502	1:F5	7B1	C580	1:F5	7D13	C5103	2:F4	7C9	HS300	2:E9	3E13	L413	1:E3	6G10
C224	1:K1	2D12	C370	1:A4	3H11	C399Z	1:C5	3G8	C503	2:J4	7E1	C581	2:G5	7B14	CDC_BOT	2:K2	2A7	IC200	2:N6	2E3	L414	1:H3	6E10
C225	1:K1	2E13	C371	1:B2	3G12	C400	1:C2	6G1	C504	1:J2	7J2	C582	2:F5	7C14	CDC_TOP	1:K2	2A6	IC201	2:K1	2H5 2F11	L415	1:E2	6G11
C226	2:K2	2G7	C372	1:A6	3G12	C401	1:C1	6G1	C505	2:J5	7E1	C583	2:G5	7B14	D_TX_INH	1:E4	4E11			2G3 2E4	L417	1:F3	6G13
C227	1:K4	2G7	C373	1:A5	3H12	C402	1:C1	6G2	C506	1:J6	7B2	C584	2:G6	7B14	D301	1:D6	3J4 3H4			2A8	L419	1:F3	6H14
C228	1:N7	2D5	C374	1:A6	3G12	C403	1:C1	6G2	C507	1:J6	7B2	C585	1:F5	7G14	D303	2:H9	3G4	IC202	1:P7	2C4	L500	2:J4	7E2
C230	2:N6	2F3	C375	1:A5	3H12	C404	1:C1	6H2	C508	2:J4	7E2	C586	2:G5	7B14	D304	1:D4	3J8 3H9	IC203	1:J2	2D8	L501	1:J5	7H2
C231	2:M6	2E4	C376	1:A6	3G12	C405	1:C1	6G2	C509	2:J4	7D2	C600	2:K9	8E3	D305	1:C3	3F10 3G9	IC204	1:K3	2G10	L502	1:J5	7B2
C232	2:N6	2E3	C377	1:A7	3H12	C406	1:C1	6F3	C510	1:J2	7J2	C601	2:N7	8D3	D306	2:D4	4G9	IC205	1:K1	2D12	L503	2:J6	7E3
C300	1:G6	5B2	C378	1:A7	3H12	C408	1:C1	6G4	C511	2:J4	7E2	C602	2:N6	8B3	D307	1:B2	3H10	IC301	1:D5	4K6 4F4	L504	2:J5	7D4
C301	1:K7	5B6	C379	1:A7	3G13	C409	2:G2	6D4	C512	1:J5	7H2	C603	2:L7	8E7	D308	1:F7	4E5			4J5 4C5	L505	2:J5	7F4
C302	1:K7	5C6	C380	1:A7	3H13	C410	1:C1	6G4	C513	1:K5	7C3	C604	1:L8	8E4	D309	1:F6	4C5 4D5			4E5	L506	1:G4	7K7
C303	1:K7	5C6	C381	1:A8	3G13	C411	1:C2	6G4	C514	1:J5	7H3	C605	1:L8	8E5	D310	1:A2	3F10	IC303	1:D4	4F5 4F7	L507	2:G4	7C7
C304	1:H6	5B3	C382	1:A7	3H13	C412	1:C1	6G4	C516	1:J5	7J3	C606	1:N8	8G5	D311	2:E4	4D9 4E9			4G10	L509	1:E5	7E9
C305	1:D5	4F5	C383	1:A8	3G13	C413	1:C1	6G4	C517	1:K6	7B3	C608	2:L8	8E6	D400	1:B2	6G1			4H10 4J7	L510	2:E5	7D9
C306	1:G7	5B3	C384	1:A8	3G13	C41																	

Grid Reference Index

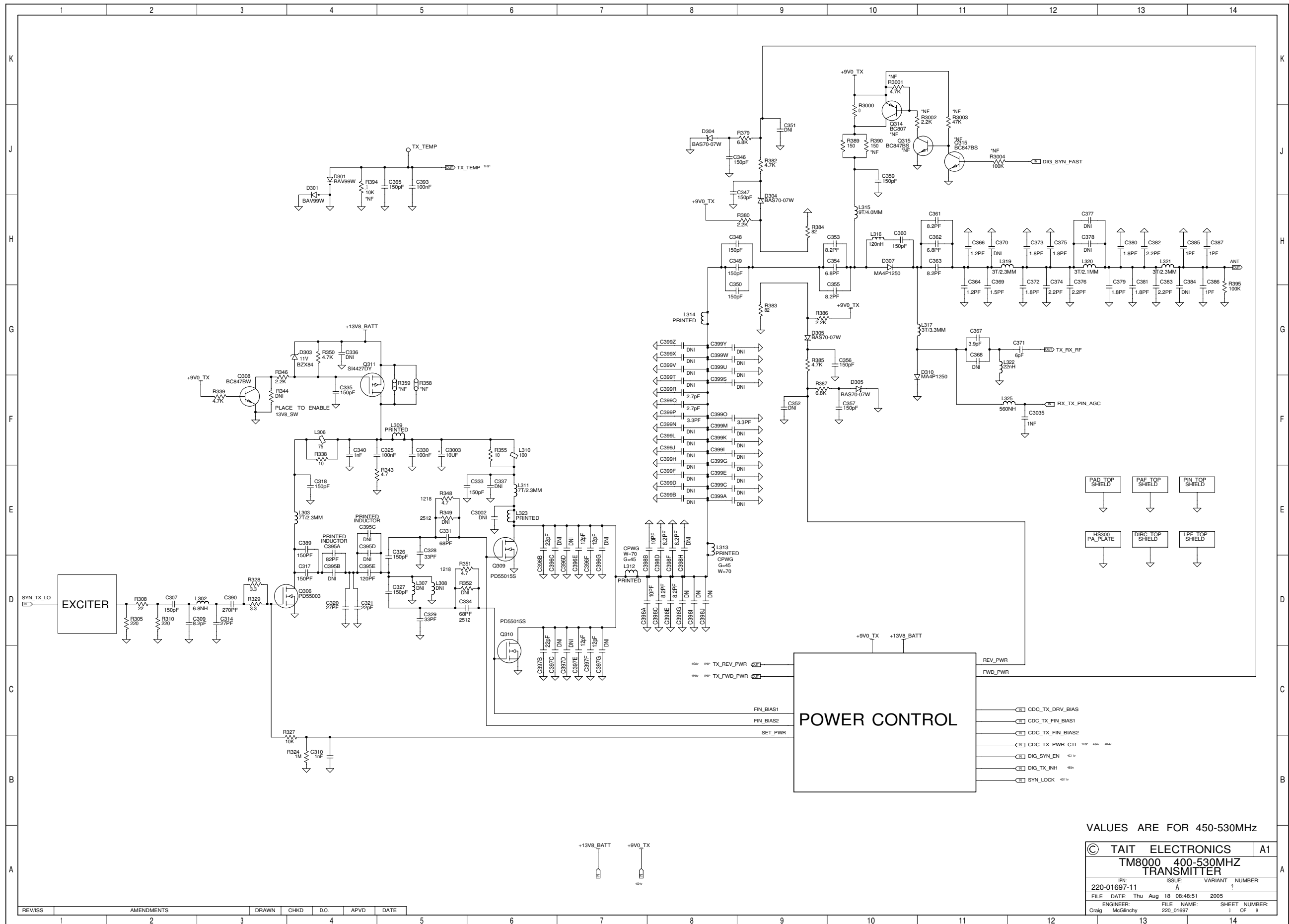
PCB IPN 220-01697-11

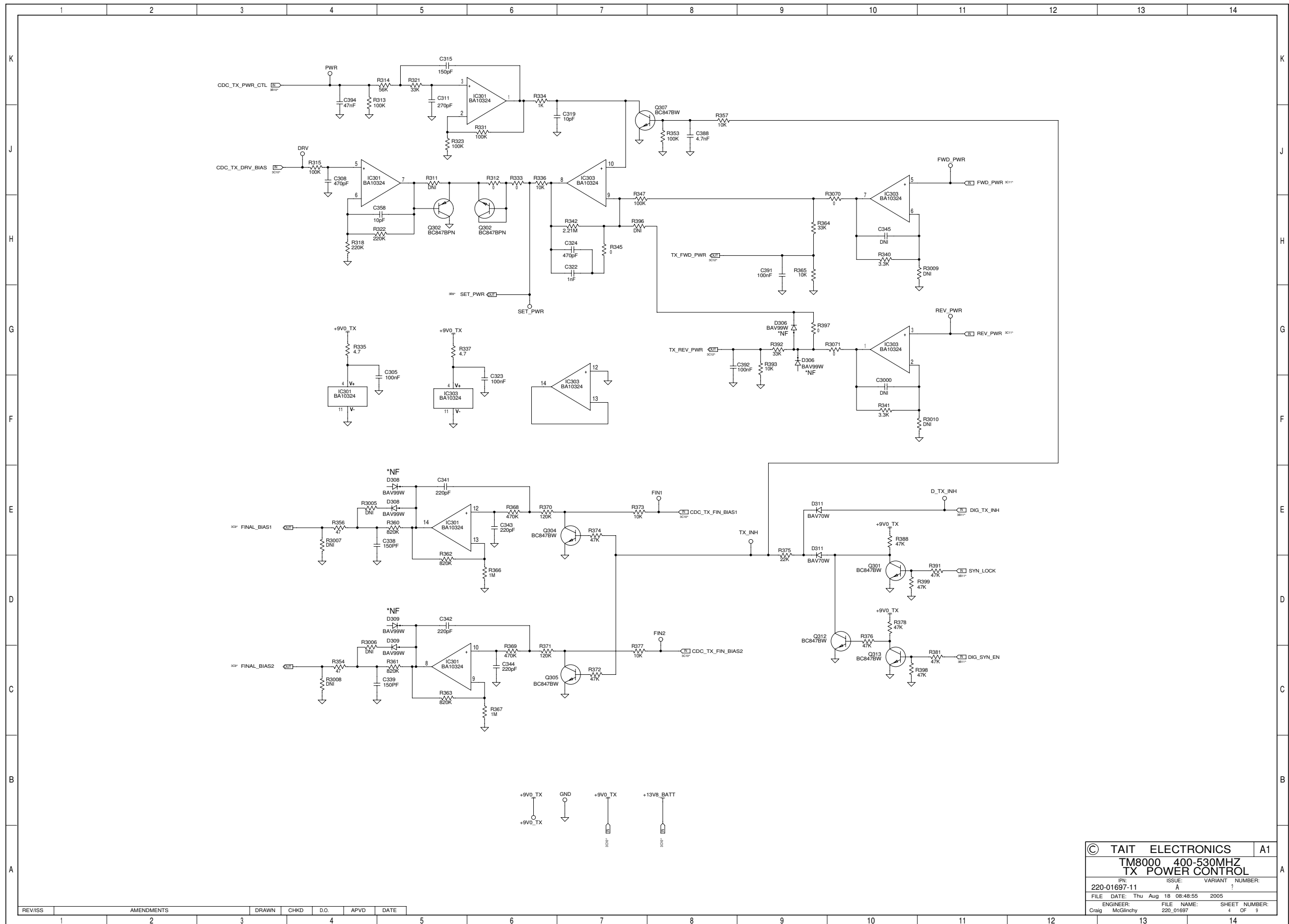
Ref	PCB	Circuit	Ref	PCB	Circuit	Ref	PCB	Circuit	Ref	PCB	Circuit	Ref	PCB	Circuit	Ref	PCB	Circuit	Ref	PCB	Circuit			
L704	1:F1	9B3	Q703	2:N9	9H10	R300	1:J7	5D6	R376	2:D5	4D10	R513	1:K5	7J2	R593	1:G5	7F13	R750	2:R9	9F11	SPARE3	1:K6	1B1
L706	1:F1	9B3			9H11	R301	1:J7	5D6	R377	1:E4	4C7	R514	1:K5	7J2	R594	1:G6	7H7	R751	2:R9	9E11	SYN_BOT	2:H5	7A11
L707	1:G1	9C5	Q704	2:P9	9G11	R302	1:K7	5C6	R378	2:D5	4D10	R515	1:K5	7J2	R598	1:G5	7H14	R753	2:N9	9H11	SYN_TOP	1:G5	7A10
L708	2:M9	9C12			9G10	R303	1:J7	5D6	R379	1:D4	3J9	R517	1:K5	7B3	R600	2:P7	8D2	R754	2:P9	9F11	T400	1:D3	6G9
L709	2:L9	9B12	Q705	2:P9	9F10 9F11	R304	1:H6	5B2	R380	1:D4	3H9	R518	2:K4	7D3	R601	1:L7	8E3	R755	2:R9	9F11	T401	1:E3	6G10
L711	2:M9	9B12	Q706	2:R9	9E11 9E10	R305	1:K7	3D2	R381	2:D5	4C11	R519	1:K4	7J3	R602	1:N6	8B2	R756	2:R9	9E11	TOPBAD	1:R10	1A9
L5002	2:G5	7C12	Q707	1:P9	9H12	R306	1:G6	5B3	R382	1:D4	3J9	R520	1:J5	7J3	R603	1:L9	8D2	R757	2:P9	9H11	TOPFID1	1:A10	1A10
L5003	2:G6	7C13	Q708	1:R9	9J5	R307	1:J7	5D6	R383	1:J4	3G9	R521	1:J4	7H3	R604	1:L10	8D2	R758	2:P9	9G11	TOPFID2	1:P1	1A11
L5100	2:G4	7C7	Q709	2:N7	9D3	R3070	2:D4	4H10	R384	1:D3	3H9	R522	1:J5	7H3	R605	2:N7	8D3	R759	2:R9	9F11	TP200	1:N6	2D4
L5101	2:F4	7C9	Q5001	2:F6	7C13	R3071	2:D4	4G10	R385	1:C4	3G9	R523	2:J4	7D3	R607	1:L9	8D2	R760	2:R9	9E11	TP500	1:K4	7G3
LK1	1:L7	8E2	Q5100	2:F5	7C9	R308	1:K7	3D2	R386	1:B3	3G9	R524	1:K4	7G3	R610	2:N7	8D4	R761	2:N9	9H11	TP501	1:K4	7G5
LK2	1:L7	8E2	QN	1:H2	6C12	R309	1:H6	5B3	R387	1:C4	3F9	R525	1:J5	7J4	R611	1:G6	8C4	R762	2:P9	9F11	TP502	1:J3	7J5
LK3	1:L7	8D2	R100	1:L1	1B4	R310	1:K7	3D2	R388	2:E4	4E10	R526	1:J4	7H4	R612	1:F6	8C4	R763	2:R9	9E11	TP503	1:G4	7K11
LK4	1:M7	8C2	R101	1:L1	1B4	R311	1:E5	4J5	R389	2:C4	3J10	R527	1:K4	7G4	R613	1:F6	8C4	R764	2:R9	9E11	TP504	1:J3	7J2
LK5	1:M6	9C6	R102	1:K4	1D8	R312	1:E5	4J6	R390	2:C4	3J10	R528	2:J5	7F4	R614	1:N8	8G4	R765	2:M9	9K11	TP601	2:J3	8D8
LK6	1:N6	9C6	R103	1:K5	1D8	R313	1:D4	4K4	R391	2:E4	4D11	R529	1:J4	7G4	R615	1:N8	8F4	R766	2:M9	9J11	TX_EN	1:L6	8F8
LK7	1:N9	9C9	R104	1:K5	1D8	R314	1:E4	4K5	R392	2:D4	4G9	R530	1:H6	7B5	R616	1:N8	8F4	R767	2:M9	9J11	TX_INH	1:D4	4E9
LK8	1:N9	9C9	R105	1:K5	1D8	R315	1:D5	4J4	R393	2:D4	4G9	R531	2:J5	7E4	R617	1:N8	8G5	R768	1:N9	9H11	TX_TEMP	1:K3	3J5
LO2_BOT	2:G3	6A8	R106	1:K4	1G8	R316	1:H7	5B3	R394	1:E7	3J4	R532	1:J4	7H5	R619	2:N8	8B6	R769	1:N9	9J12	TXD	2:E1	1G2
LPF_TOP	1:B6	3E14	R107	1:L6	1C8	R317	1:H7	5C3	R395	1:B9	3G14	R533	1:K6	7B1	R620	2:J2	8D6	R770	1:P9	9G12	VCO_BOT	2:F5	7A12
MCM1	1:N4	1E6	R108	1:K3	1E8	R318	1:E5	4H4	R396	2:D4	4H7	R534	2:J4	7E5	R621	2:F3	8D9	R771	1:P9	9F12	VCO_TOP	1:E5	7A11
MIC	2:E1	1G2	R109	1:K4	1E8	R319	1:J7	5C3	R397	2:D4	4G9	R535	2:J4	7E5	R624	2:J2	8D6	R772	1:R9	9E12	VCXO_BOT	2:J5	7A10
ON	2:E1	1G2	R110	1:L4	1E8	R320	1:H7	5C3	R398	2:E5	4C10	R536	1:K4	7G5	R626	2:E6	8F7	R773	2:M9	9K12	XF400	1:F3	6G12
PAD_TOP	1:J8	3E13	R112	2:E3	1E12	R321	1:D5	4K5	R399	2:D4	4D10	R537	1:H6	7C4	R627	2:D6	8F7	R774	2:M9	9J12	XF401	1:G3	6E12
PAF_TOP	1:E8	3E13	R199	2:L6	1H8	R322	1:E5	4H5	R400	1:C1	6H3	R538	1:J4	7J5	R628	2:F2	8C7	R775	2:M9	9J12	XL500	1:J1	7J1
PIN_TOP	1:B3	3E14	R200	1:N6	2D2	R323	1:D5	4J5	R401	1:C1	6G3	R539	1:J4	7H5	R629	2:D6	8F8	R776	2:N9	9D11	XL501	2:K5	7E4
PL100	2:K9	1J1	R201	1:N7	2D2	R324	1:K8	3B4	R402	1:C1	6G3	R540	1:J4	7B5	R630	2:F2	8D8	R777	2:N9	9D11			
PL101	1:N1	1D4 1C4	R202	1:N7	2C2	R326	1:H6	5B4	R403	1:J2	6D3	R541	1:J6	7G6	R700	1:F1	9E2	R778	1:N9	9J12			
		1B4	R203	1:N7	2D2	R327	1:J8	3B4	R404	1:C1	6G3	R542	1:H5	7F6	R701	1:F1	9D2	R779	1:P9	9G12			
PWR	1:D3	4K4	R204	1:N7	2D2	R328	1:J8	3D3	R405	1:C1	6G3	R543	2:H5	7E7	R702	1:G1	9J2	R780	1:P9	9F12			
Q200	1:N7	2C3 2D2	R205	1:N7	2D3	R329	1:J8	3D3	R406	1:C2	6H3	R544	1:H5	7K7	R703	1:F2	9D3	R781	1:R9	9E12			
Q201	1:N7	2D3	R206	1:N7	2D3	R330	1:H6	5B4	R407	1:C2	6G3	R545	2:H5	7F7	R704	1:H1	9H2	R782	1:N9	9J12			
Q202	2:K2	2J3	R207	2:K1	2H3	R331	1:D5	4J6	R408	1:C2	6G4	R546	2:H5	7F7	R705	1:G1	9J2	R783	1:P9	9G12			
Q300	1:H7	5B3	R208	2:K1	2G3	R332	1:J6	5B4	R409	1:D1	6G5	R547	1:H5	7F7	R706	1:F1	9C2	R784	1:P9	9F12			
Q301	2:E4	4D10	R209	2:K2	2J3	R333	1:E5	4J6	R410	1:D2	6H5	R548	1:H5	7K7	R707	1:G1	9J2	R785	1:R9	9E12			
Q302	2:E5	4H5 4H6	R210	1:N7	2C3	R334	1:D5	4K6	R411	1:D1	6H5	R549	1:G5	7K8	R708	1:G1	9F2	R788	2:N7	9D3			
Q303	1:J7	5B5	R211	2:N6	2F3	R335	2:D5	4G4	R412	2:G3	6C5	R550	1:H5	7H8	R709	1:F1	9C2	R789	2:P6	9D3			
Q304	2:D5	4E7	R212	2:K1	2G3	R336	1:E5	4J6	R413	2:G3	6C5	R551	1:H5	7H8	R710	1:F1	9B2	R790	1:F2	9B3			
Q305	2:E5	4C7	R213	1:N6	2C3	R337	1:D4	4G5	R414	1:D1	6G5	R552	1:H5	7H8	R711	1:G2	9J2	R791	1:M9	9C11			
Q306	1:J8	3D3	R214	1:N6	2E3	R338	1:H9	3F4	R415	1:D1	6H5	R554	2:H4	7G9	R712	1:F1	9C2	R792	2:M9	9B12			
Q307	2:D4	4J7	R215	1:N6	2E4	R339	1:K10	3F3	R416	2:G3	6D6	R555	2:H5	7F9	R713	1:G2	9J3	R3000	2:C4	3J10			
Q308	1:K10	3F3	R216	2:K1	2G4	R340	2:D4	4H10	R417	2:F3	6E6	R556	2:H4	7G9	R714	1:G1	9J3	R3001	2:C4	3K10			
Q309	1:E8	3E6	R217	2:M6	2E4	R341	2:D4	4F10	R418	2:G3	6D6	R557	1:H4	7K8	R715	1:F2	9E3	R3002	2:C4	3J10			
Q310	1:E9	3C6	R218	2:K3	2F4	R342	1:E4	4H7	R419	2:G3	6D6	R558	1:F4	7E8	R716	1:F2	9D3	R3003	2:C4	3J11			
Q311	2:H10	3F4	R219	2:K1	2H4	R343	1:H9	3E4	R420	2:H3	6C6	R559	1:F4	7D8	R717	2:P6	9C2	R3004	1:L5	3J11			
Q312	2:E5	4D10	R220	2:K2	2G4	R344	1:J10	3F3	R421	1:D1	6H7	R560	1:H4	7K9	R718	2:P6	9C3	R3005	1:F7	4E4			
Q313	2:D5	4C10	R221	2:K2	2H5	R345	1:E4	4H7	R422	1:D1	6G7	R561	1:F4	7E9	R719	1:R9	9K5	R3006	1:F6	4C4			
Q314	2:C4	3J10	R222	1:K2	2G5	R346	1:J10	3F3	R423	1:E1	6G7	R562	1:F4	7D9	R720	1:P9	9J5	R3007	1:G7	4E4			
Q315	2:C4	3J11	R223	1:K2	2G5	R347	1:D4	4H7	R424	1:E3	6F10	R563	1:G4	7G9	R721	1:N9	9J5	R3008	1:G6	4C4			
Q400	1:C2	6H3 6H4	R224	2:K2	2H6	R348	1:F7	3E5	R425	1:G3	6E11	R564	2:F5	7D9	R722	1:N9	9J5	R3009	2:D4	4H11			
Q401	1:D1	6G5	R225	2:J1	2E5	R349	1:G7	3E5	R426	1:H3	6D12	R565	2:H4	7G10	R723	2:M7	9J7	R3010	2:D4	4F11			
Q402	2:F3	6E6	R226	1:J3	2F7	R350	1:J10	3G4	R427	1:H3	6C12	R566	1:G4	7F10	R724	2:M7	9J7	R5005	2:G5	7C12			
Q403	2:G3	6D6	R227	1:J2	2F7	R351	1:F9	3D5	R428	1:G3	6E11	R567	1:F4	7E9	R725	2:M7	9H7	R5006	2:F5	7C12			
Q404	1:F2	6G14	R228	2:J1	2E4	R352	1:G9	3D5	R429	1:G3	6E11	R568	1:H6	7J10	R726	2:M7	9H7	R5007	2:F6	7C12			
Q405	2:D2	6H1	R229	1:J3	2G7	R353	2:D4	4J8	R430	1:G2	6C12	R569	2:H5	7H10	R727	2:M7	9G7	R5008	2:F6	7B12			
Q500	1:K5	7C1	R230	1:K2	2F8	R354	1:F6	4C4	R431	2:H3	6D12	R570	1:G4	7F10	R728	2:M8	9G7	R5010	1:H6	7F9			
Q501	2:J4	7D2	R231	2:J1	2E4	R355	1:C9	3F6	R432	2:H3	6C12	R571	1:G4	7G10	R729	2:M8	9F7	R5011	2:H4	7F10			
Q502	1:K5	7B3	R232	1:J3	2F8	R356	1:F7	4E4	R433	1:F3	6G13	R572	2:F4	7D10	R730	2:M7	9E7	R5012	2:H5	7F8			
Q503	2:J5	7E4	R233	1:K2	2F8	R357	2:E4	4J8	R434	1:F3	6H13	R573	1:F4	7F10	R731	2:M7	9J8	R5013	2:H5	7F8			
Q504	1:E4	7D9	R234	1:K2	2G8	R358	2:G10	3F5	R435	1:F3	6H14	R574	2:G5	7B10	R732	2:M7	9H8	R5014	2:H6	7E9			
Q505	2:H5	7H10	R235	1:K2	2F8	R359	2:G10	3F5	R436	1:F2	6G14	R575	2:F4	7D11	R733	2:M7	9H8	R5100	2:G4	7C7			
Q506	1:G5	7F12 7F13	R236	2:J3	2D9	R360	1:F7	4E5	R437	2:D2	6H2	R576	2:F5	7D11	R734								



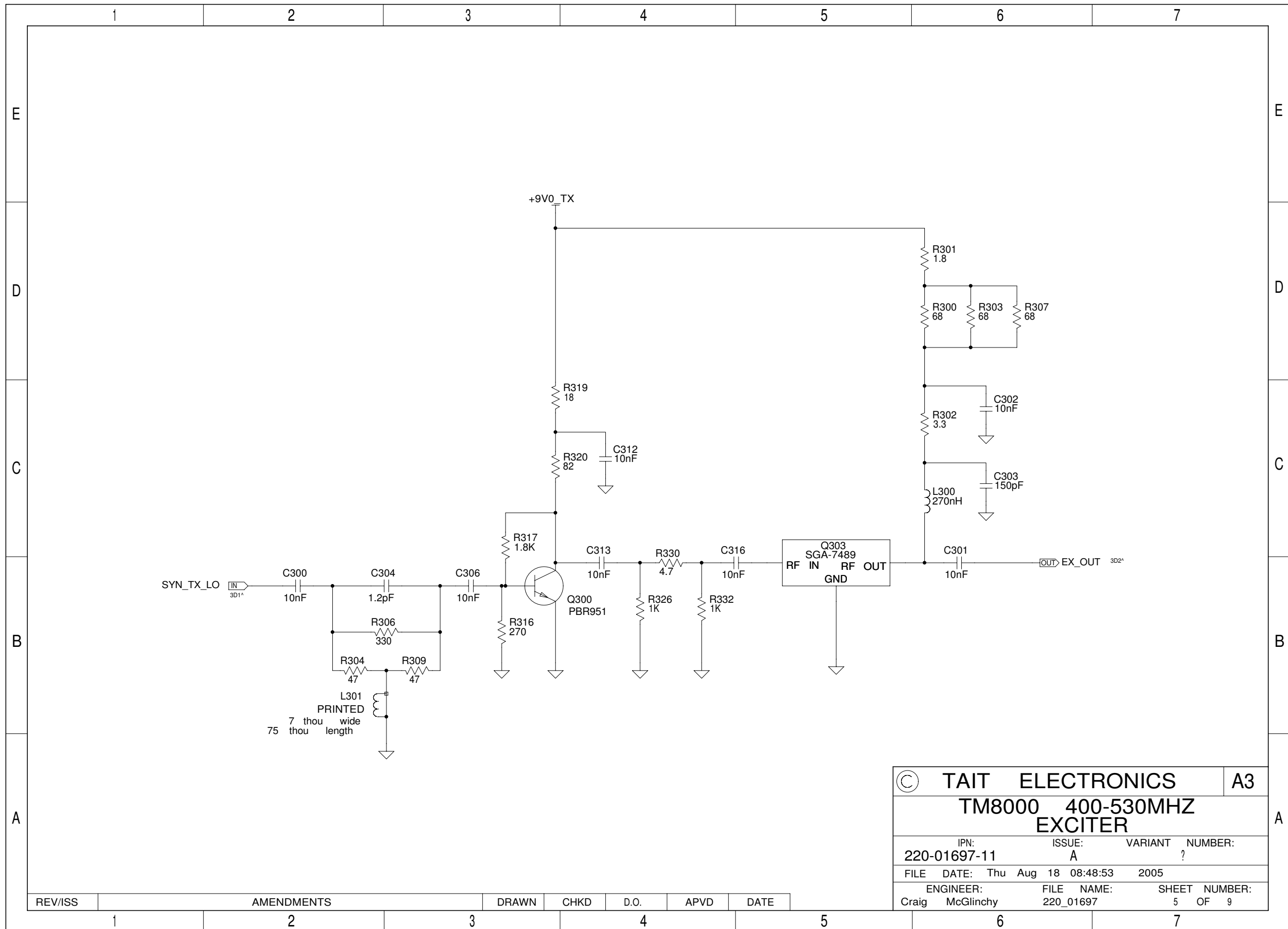


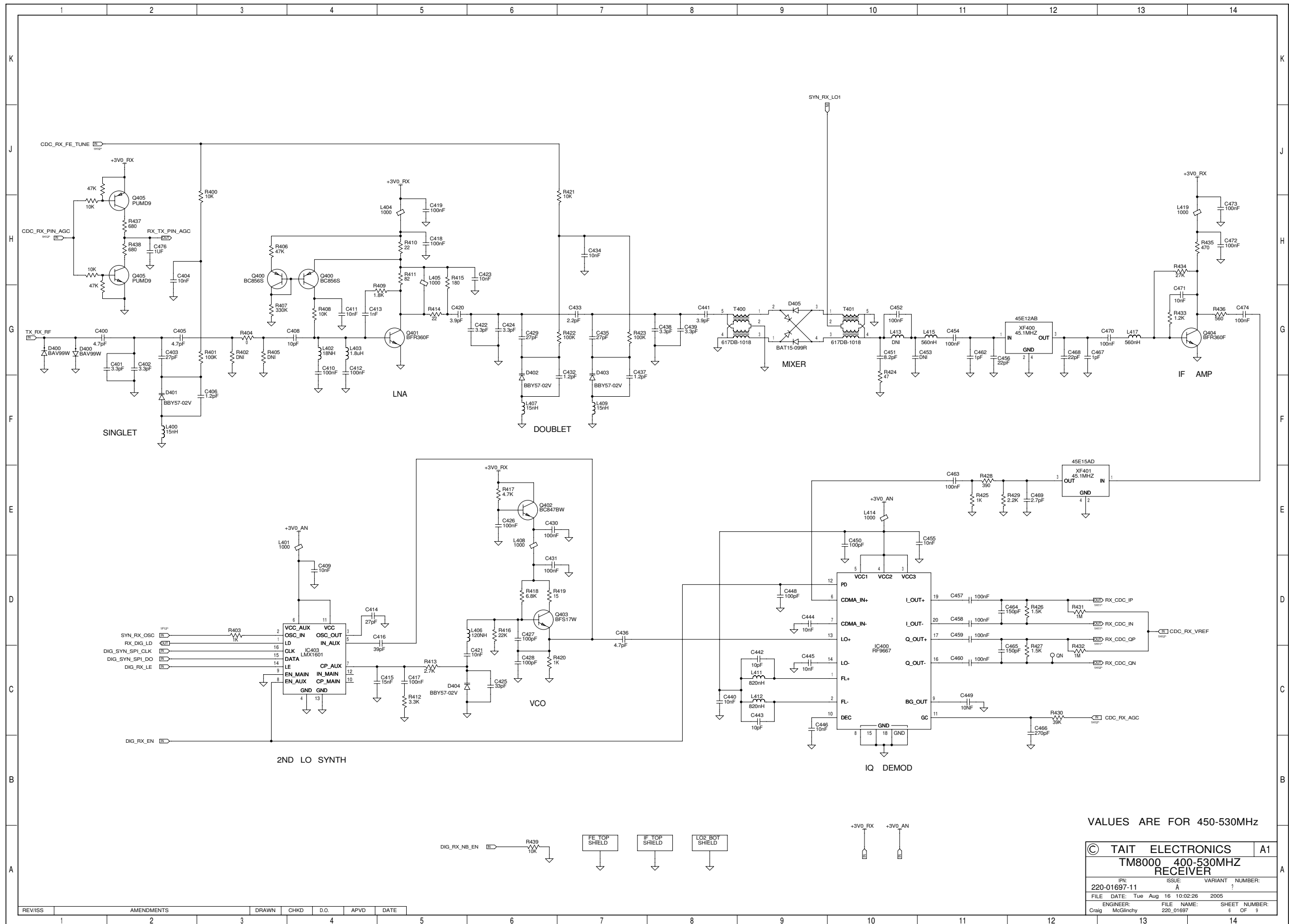
© TAIT ELECTRONICS		A1
TM8000 400-530MHZ CODEC		
IPN: 220-01697-11	ISSUE: A	VARIANT NUMBER: ?
FILE DATE: Fri Sep 09 14:38:29 2005		
ENGINEER: Craig McGlinchy	FILE NAME: 220_01697	SHEET NUMBER: 2 OF 9





© TAIT ELECTRONICS		A1
TM8000 400-530MHZ TX POWER CONTROL		
IPN: 220-01697-11	ISSUE: A	VARIANT NUMBER: ?
FILE DATE: Thu Aug 18 08:48:55 2005	ENGINEER: Craig McGlinchy	FILE NAME: 220_01697
		SHEET NUMBER: 4 OF 9

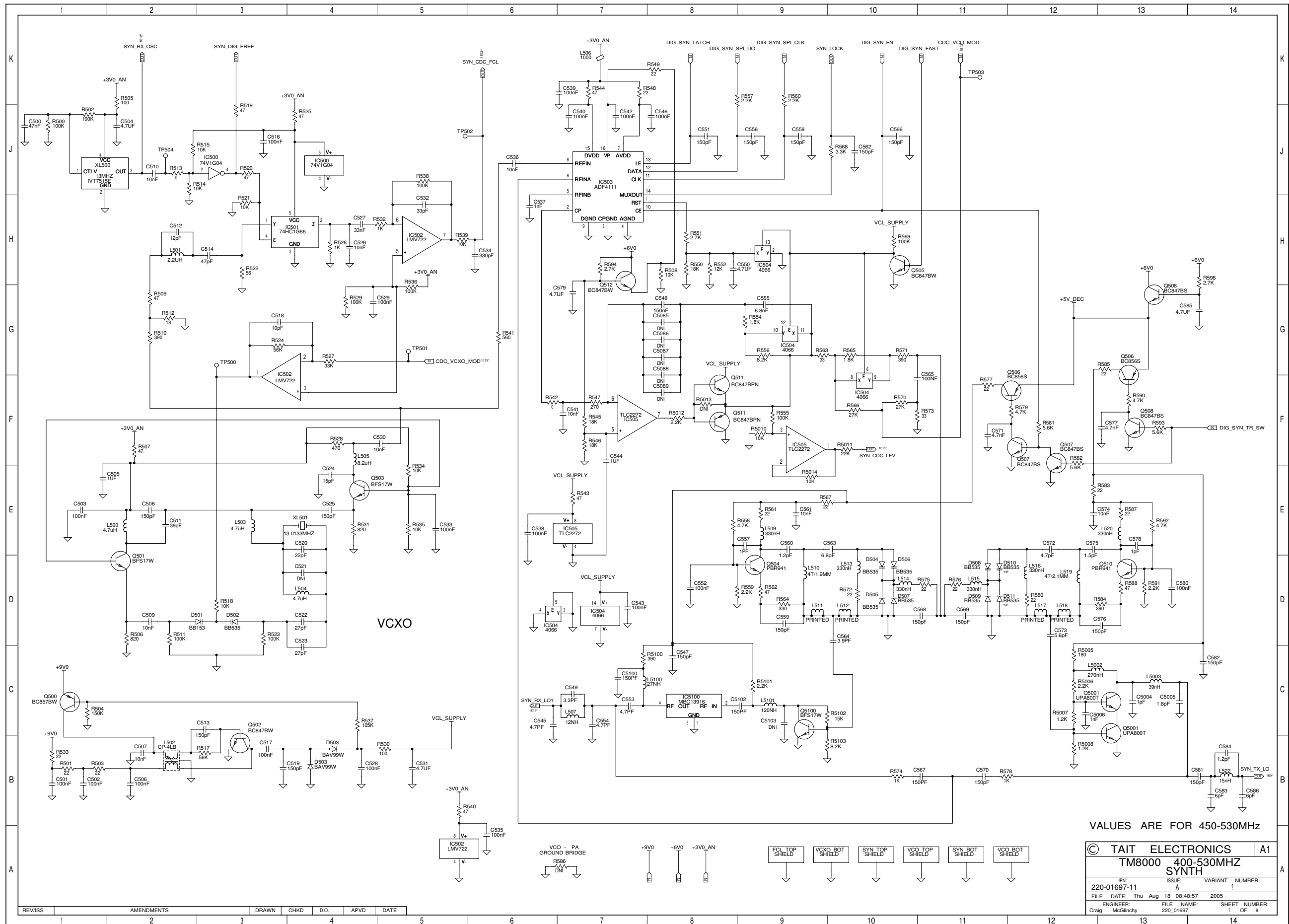


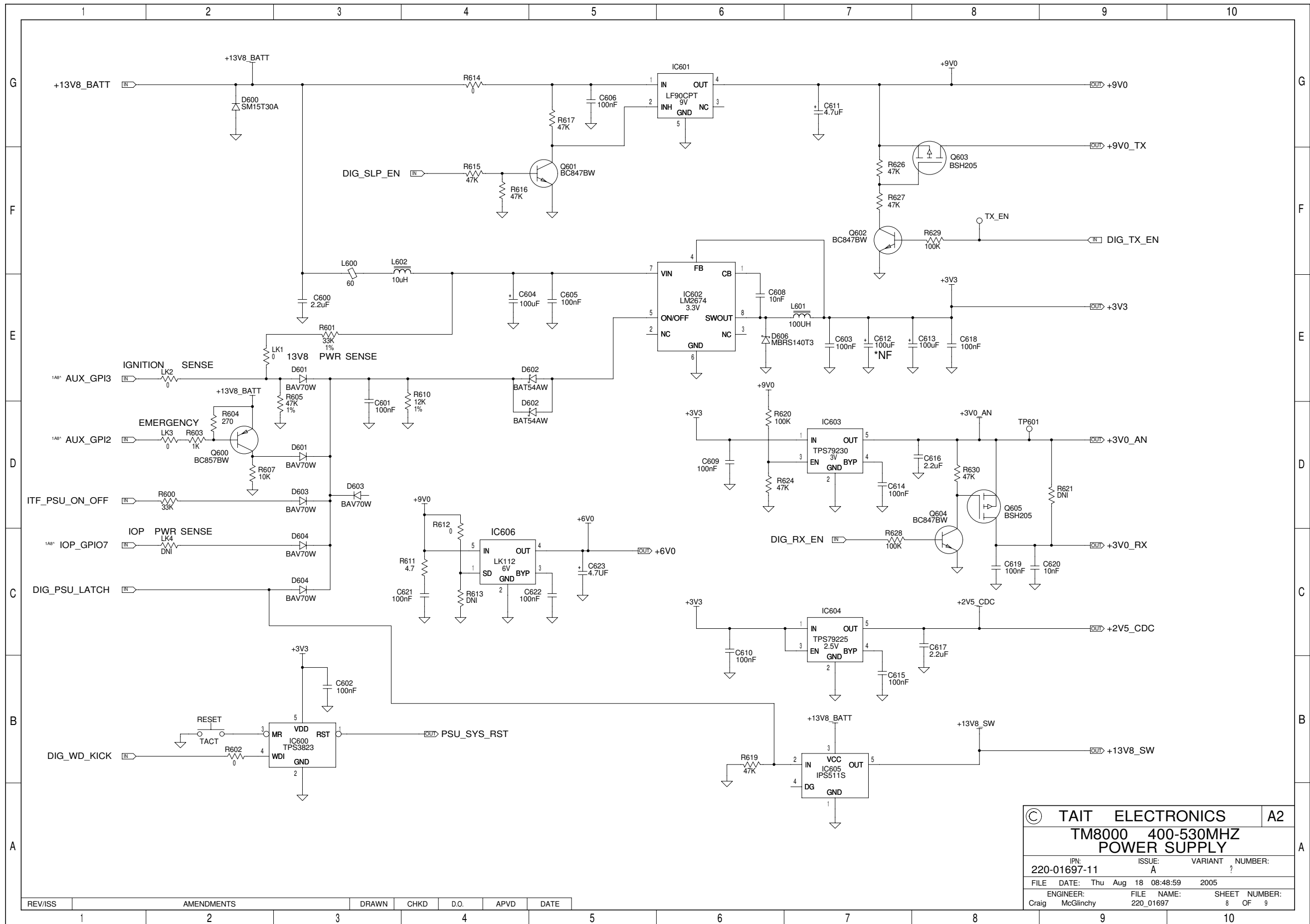


VALUES ARE FOR 450-530MHZ

© TAIT ELECTRONICS	A1
TM8000 400-530MHZ RECEIVER	
IPN: 220-01697-11	VARIANT NUMBER: A
FILE DATE: Tue Aug 16 10:02:26 2005	ISSUE: 1
ENGINEER: Craig McGlinchy	FILE NAME: 220_01697
	SHEET NUMBER: 6 OF 9

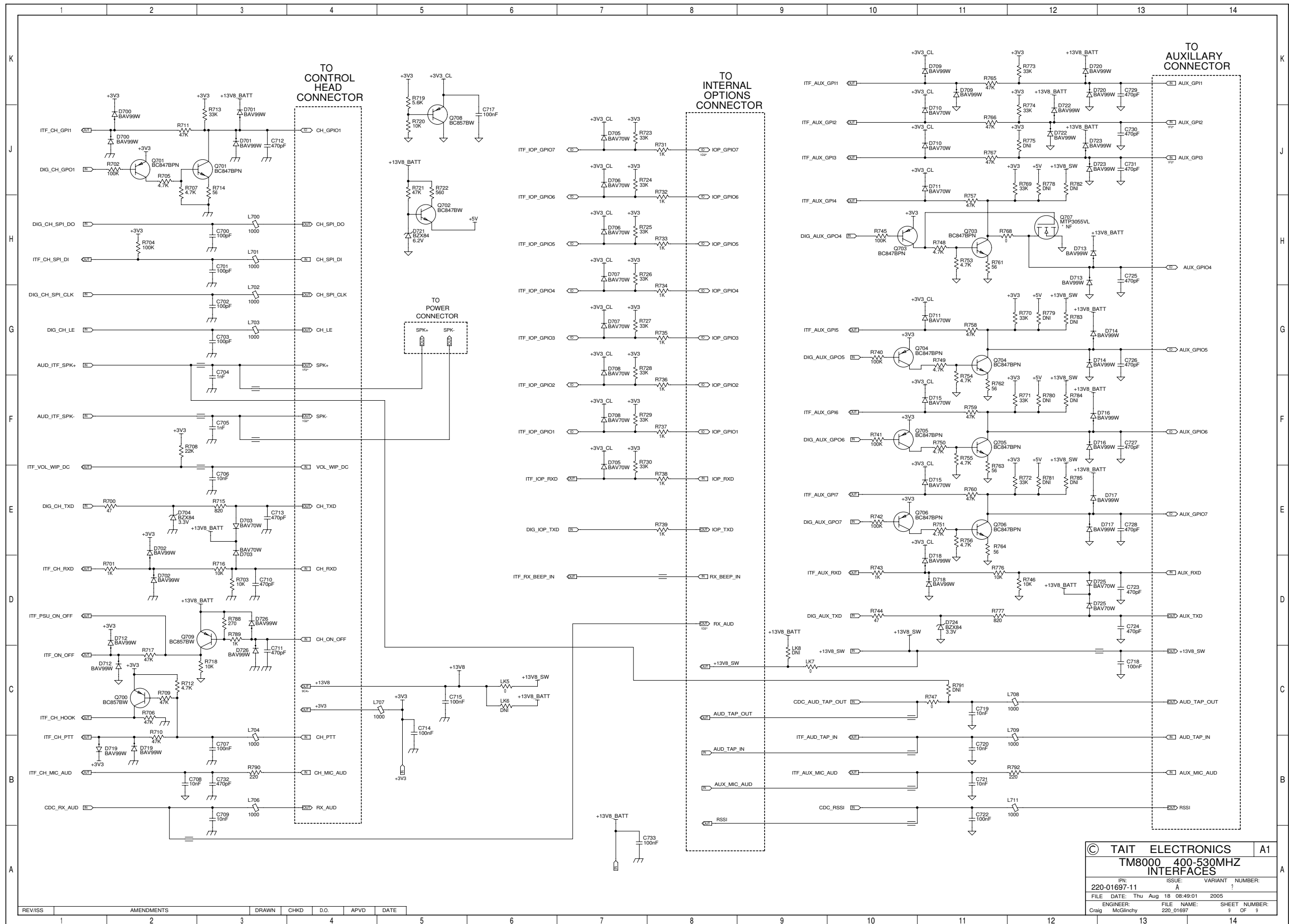
REV/ISS	AMENDMENTS	DRAWN	CHKD	D.O.	APVD	DATE
1						





© TAIT ELECTRONICS		A2
TM8000 400-530MHZ POWER SUPPLY		
IPN: 220-01697-11	ISSUE: A	VARIANT NUMBER: ?
FILE DATE: Thu Aug 18 08:48:59 2005		
ENGINEER: Craig McGlinchy	FILE NAME: 220_01697	SHEET NUMBER: 8 OF 9

REV/ISS	AMENDMENTS	DRAWN	CHKD	D.O.	APVD	DATE
1						



© TAIT ELECTRONICS		A1
TM8000 400-530MHZ INTERFACES		
IPN: 220-01697-11	ISSUE: A	VARIANT NUMBER: 1
FILE DATE: Thu Aug 18 08:49:01 2005		
ENGINEER: Craig McGlinchy	FILE NAME: 220_01697	SHEET NUMBER: 9 OF 9